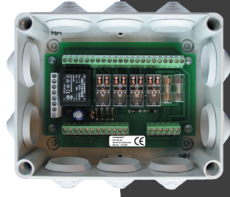


# MC R4



Art.-no.:  
01040523

### Short description

- Motor control for four sunshades
- Standard 3-wire central input
- Direct connection available for four 230VAC motors
- Connection available for four individual interlocked pushbuttons
- Connection available for one group button
- Separate connection terminals for central command, group command and power output transmission

### Technical data

Power supply:	230VAC, 50 Hz
Impulse voltage withstand level:	2.5 kV
Rated power:	1,8 W
Output:	230VAC, 50 Hz
Maximum load:	250VAC, 4 A, $\cos \varphi \cong 0.8$ ind.
Operating temperature:	0 °C (32 °F) to +40 °C (104 °F)
IP class:	IP 54
Degree of contamination:	2
Dimensions (L x W x H):	170 x 135 x 80 mm
Mark of conformity:	CE

### Installation



#### WARNING!

#### Risk of injury due to improper installation and commissioning.

Improper installation and commissioning may lead to personal injury or property damage.

Therefore:

- When connecting the device, observe the currently valid VDE standards (in particular DIN VDE 0100/0700), your local power company's regulations and the current accident prevention regulations.
- Connect the control in accordance with the wiring diagram.

**Note:** Parallel control of several motors on one motor output is not permissible.

Parallel connection of several motor outputs on one single command button is not permissible.

The connection of the group button or single command button is optional. Make sure to use only interlocked pushbuttons.

### Operation



#### ATTENTION!

#### Failure to comply with the switch times can damage the equipment.

The lifetime of the drives and motor controls may be considerably reduced.

Therefore:

- Please make sure to pause minimum 0.5 seconds between opposite commands for the same drive.

The connected drives can be controlled with the central button, group button or the single buttons. The central command has priority over the group and single commands.

# MC R4

Art.-no.: 01040523

Motor control for controlling and individual operating of 4 sunshades.

## Installation and Operating Instructions

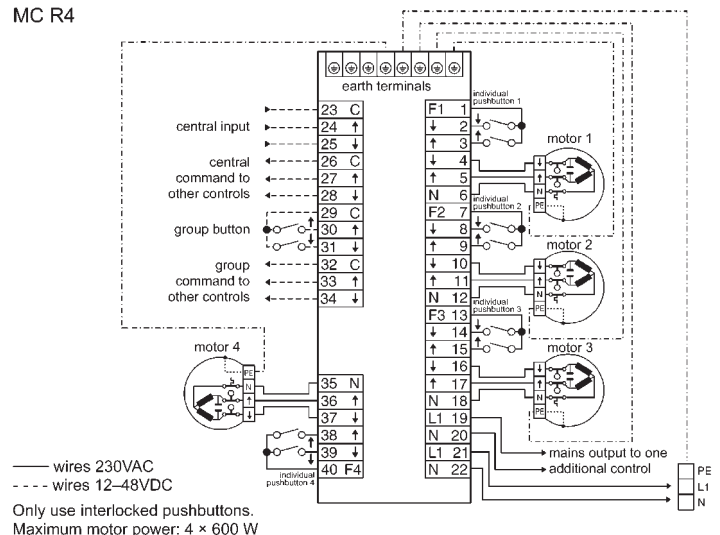
### Safety precautions



- Contact a professional electrician to install the control system, because the control system requires a power supply of 230VAC, 50 Hz.
- Check the control system for signs of mechanical damage after unpacking. If you notice any shipping damage, do not start up the control system and notify your supplier immediately.
- The control system should only be used for the purpose specified by the manufacturer (refer to the operating instructions). Any changes or modifications thereof are not permissible and will result in loss of all warranty claims.
- If the control unit cannot be operated without presenting a hazard, it must be switched off and prevented from being switched on unintentionally.
- When performing work on the windows, controls or connected shades, protect them against unauthorised or unintentional operation.

### Wiring diagram

MC R4



### The disposal of electrical equipment and batteries in household waste is strictly forbidden.



The symbol (dustbin crossed out, in line with WEEE Appendix IV) indicates separate collection of electrical and electronic products in EU countries. Do not dispose of the device or battery in your household waste. Ask your town or local council about the return and collection systems available in your area to dispose of this product.