

SWIFTPRO Roller Blinds

INSTALLATION & OPERATING GUIDANCE

THANK YOU!

Thank you for purchasing this custom-made roller blind. We use only the best quality materials to guarantee a long-lasting product.

Please read these instructions carefully before installing and operating your blind. Incorrect installation may result in damage or injury.

No screws or plugs for fixing are enclosed. Please use screws and plugs that are suitable to the fixing surface.

Alterations of the blind should be approved by the blind manufacturer.

If you have any queries or issues installing your blinds, please contact us by emailing customer.services@newblinds.co.uk

FIXING THE BRACKETS

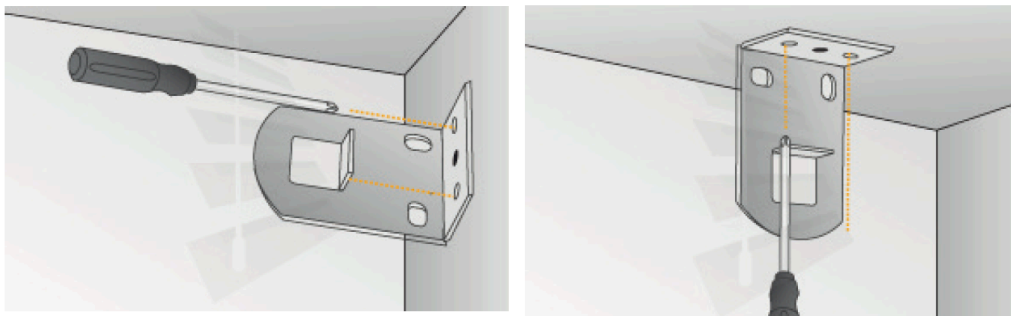
Each blind will have two brackets:

- (1) The bracket for the operating mechanism.
- (2) The bracket for the idle end.

We offer several different methods of operation – chain or motor.

Regardless of your method of operation, the bracket for the operating mechanism should be positioned on the side on which you have specified you would like the chain, crank or motor to be positioned.

Brackets can be fixed to any flat surface above, behind or to the side of the blind.



To calculate the spacing between the brackets add 35 mm to the width of the blind fabric. Fix the brackets so that the outsides of the brackets are this distance apart.

When considering where to position the brackets, also check that you are leaving enough clearance so that the rolled-up fabric will not touch any of the surrounding surfaces.

We suggest marking the outside of bracket positions on the fixing surface. Then offer up the brackets to the fixing surface and mark the screw positions. Then drill and plug the screw holes, before fixing your brackets in place with screws.

We would suggest using a spirit level to ensure that your brackets are level. Fixing one bracket higher than the other will cause the roller blind fabric to run-off which may cause fraying and damage of the fabric.

If necessary, use packers to ensure that brackets are fixed level.

FITTING THE BLIND

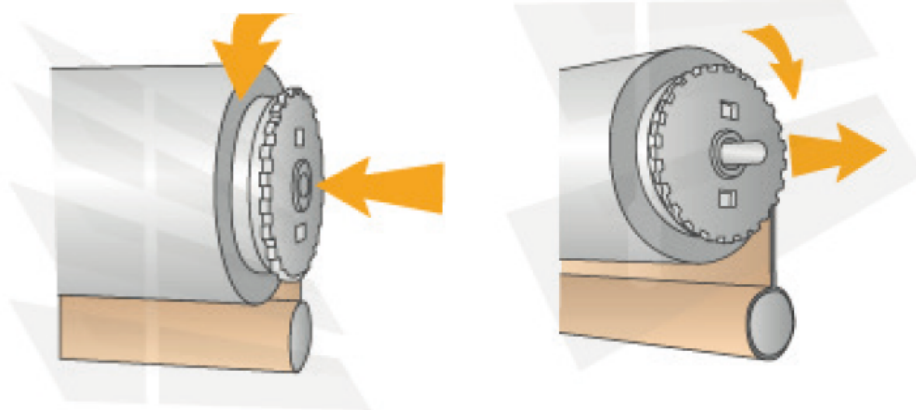
Now that the brackets are in position, offer the blind up to the brackets with the fabric hanging from the back of the roller tube (if you have selected standard roll) or the front of the tube (if you have selected reverse roll).

Push the operating mechanism to the mechanism bracket.

The idle end pin is spring-loaded and retractable. It can be adjusted to protrude out in three different positions.

In order to fit the idle-end pin into its bracket:

- (1) Turn the wheel on the idle end, to retract the pin.
- (2) This will allow you to position the idle end of the blind into the bracket
- (3) Locate the pin into the cradle at the centre of the bracket where it will remain fixed and tensioned.
- (4) Turn the wheel back in the opposite direction to extend the idle end pin to lock into the cradle of the bracket.



To remove the blind, pull back the idle-end pin by turning the toothed wheel. The idle-end pin will retract itself and then the blind may be removed from its bracket.

CHILD SAFETY

Motorised blinds are known as *Safe by Design* in that they are free from looped cords or chains.