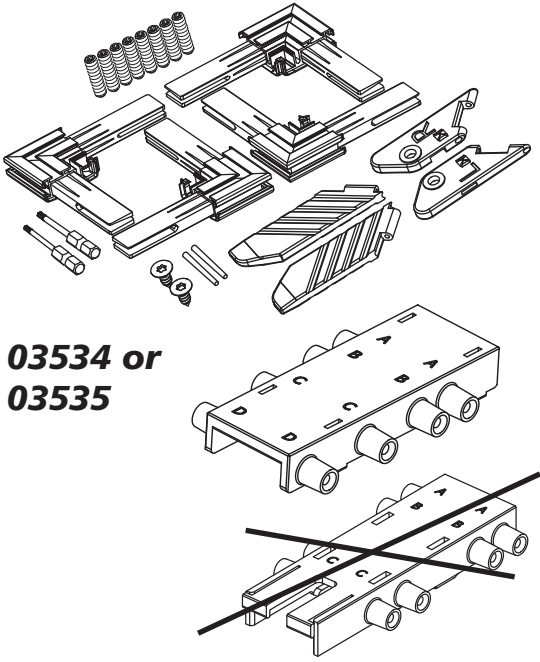
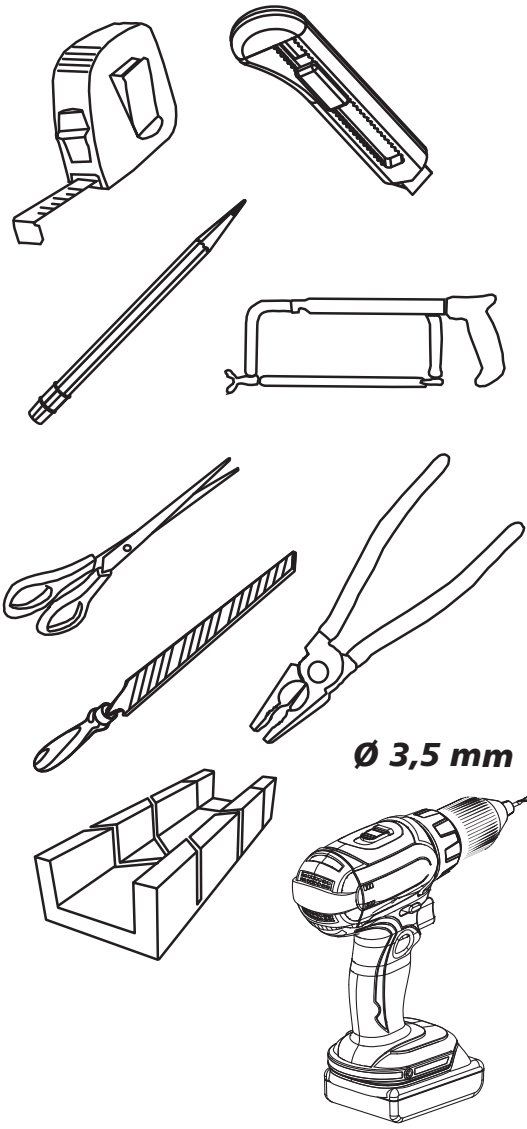


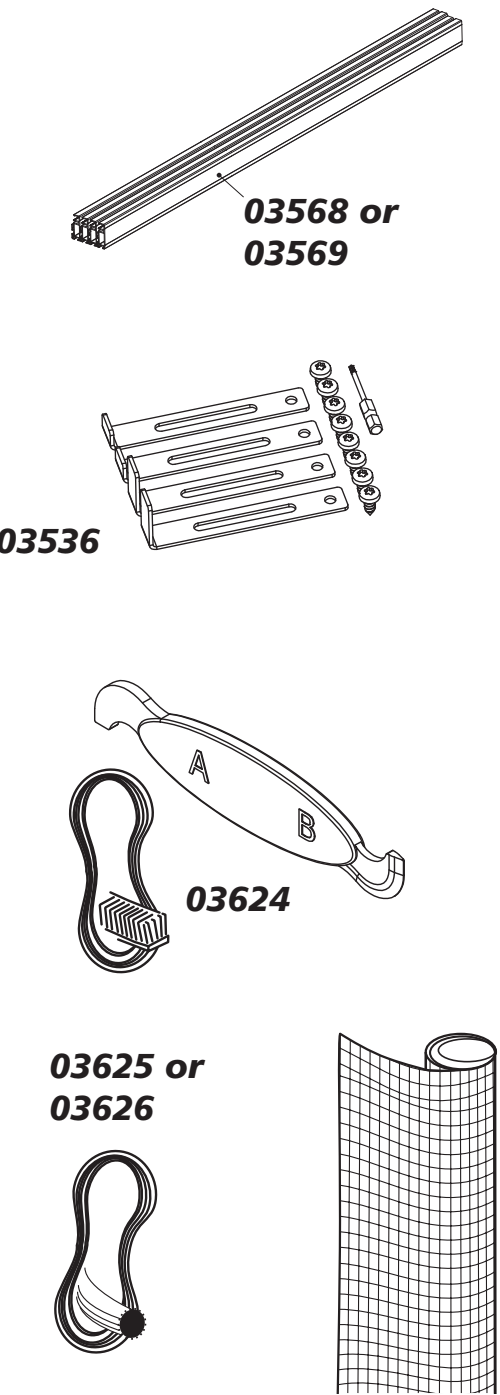
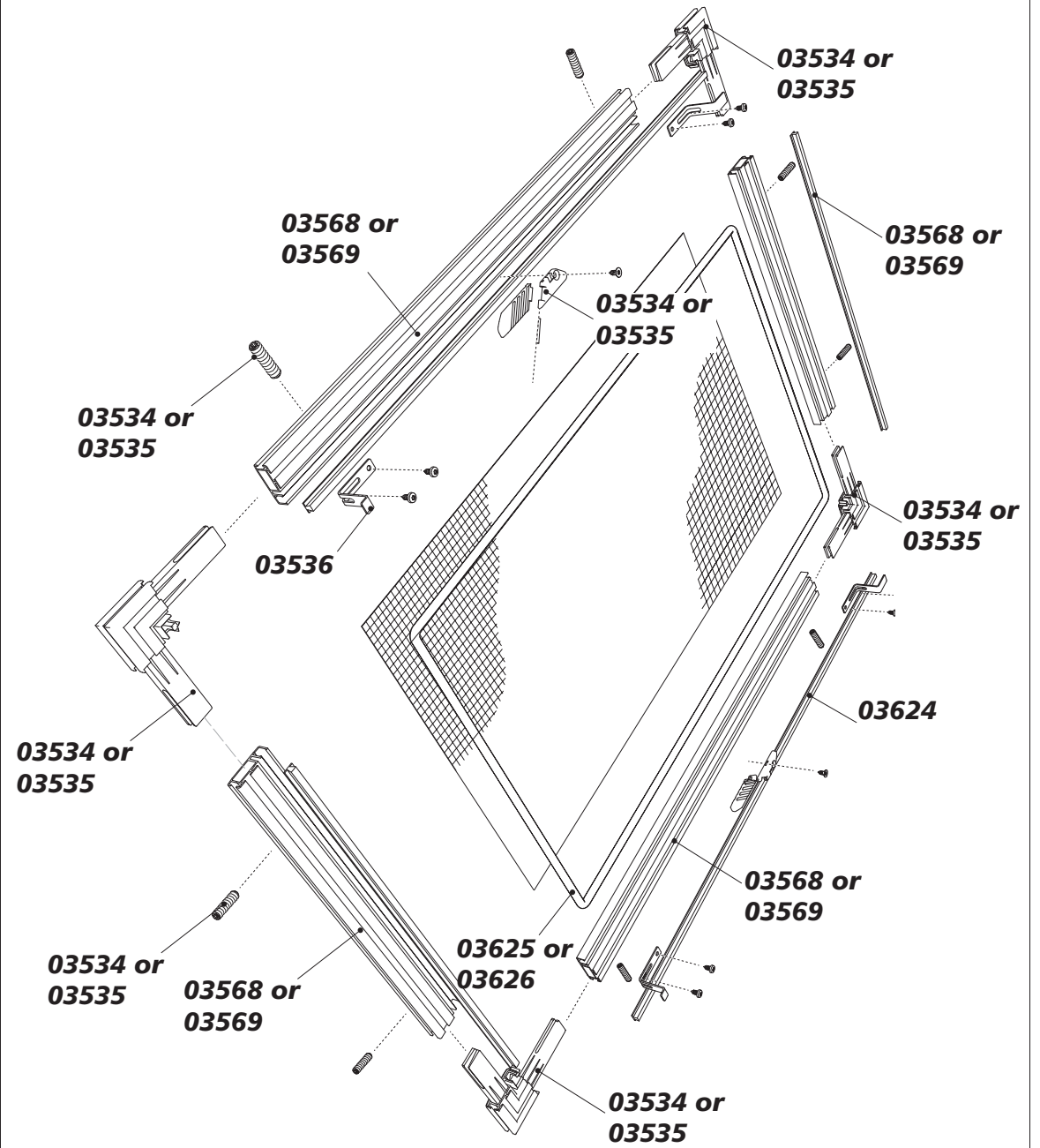
QA324



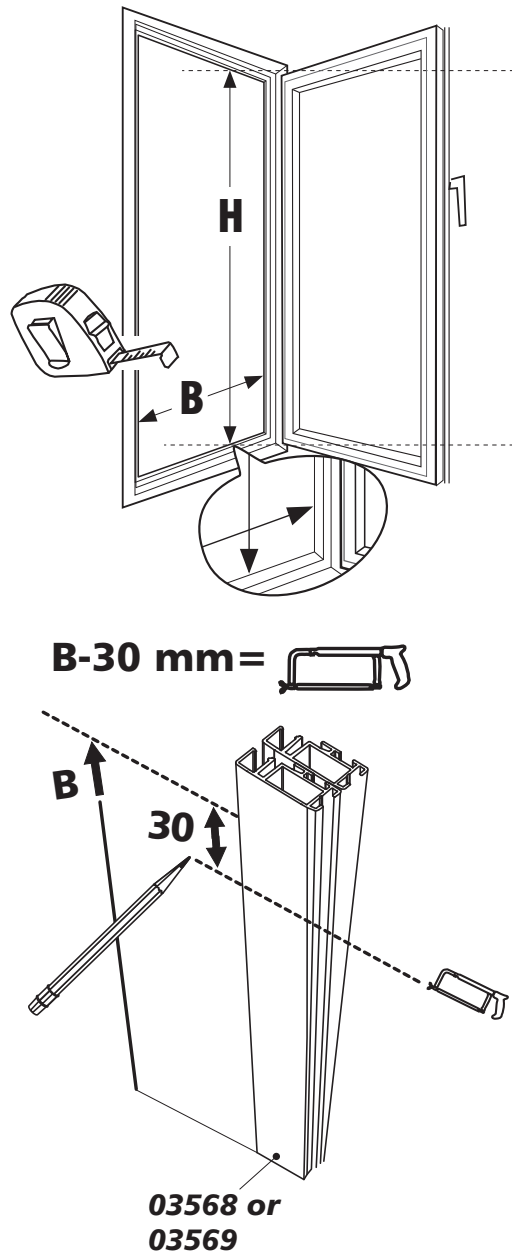
03534 or 03535



Ø 3,5 mm



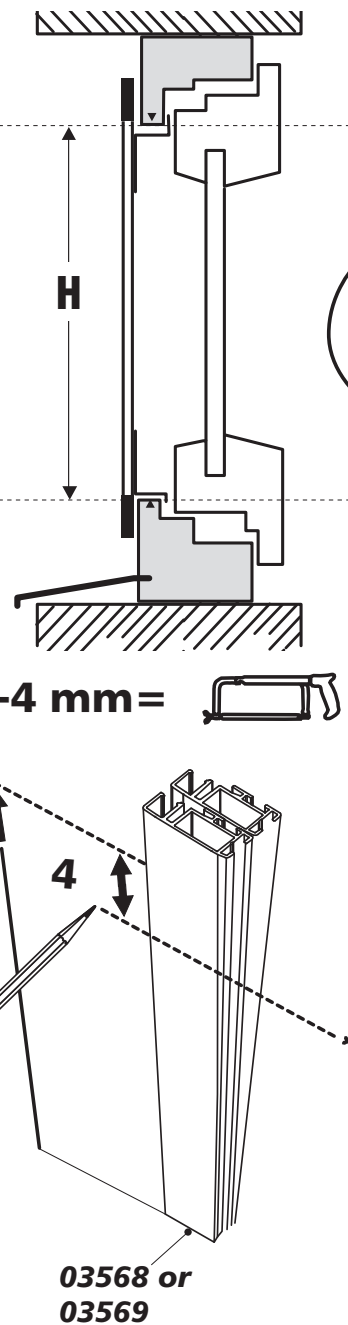
1



B-30 mm =

03568 or 03569

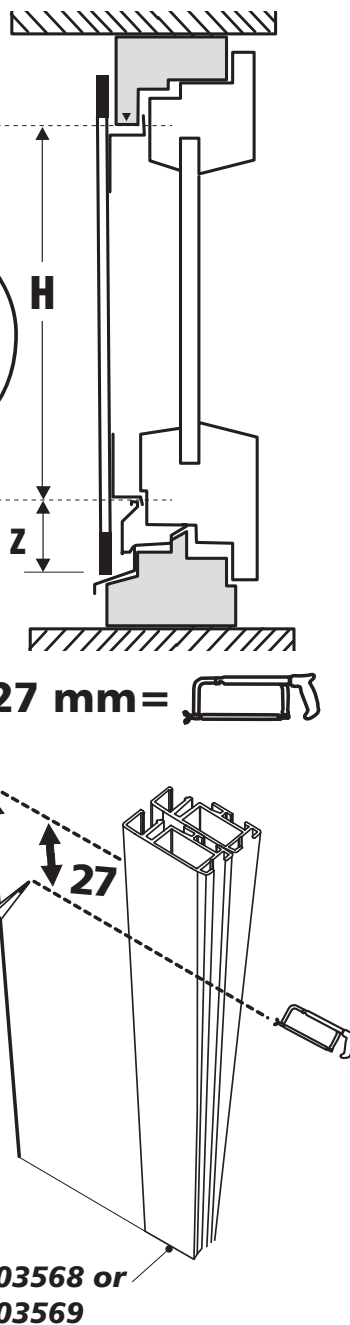
2A



H-4 mm =

03568 or 03569

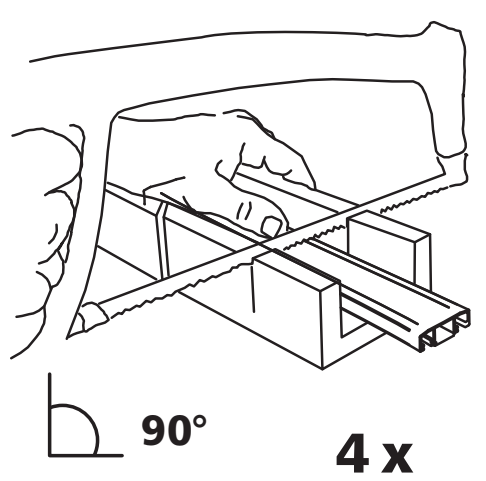
2B



H+z-27 mm =

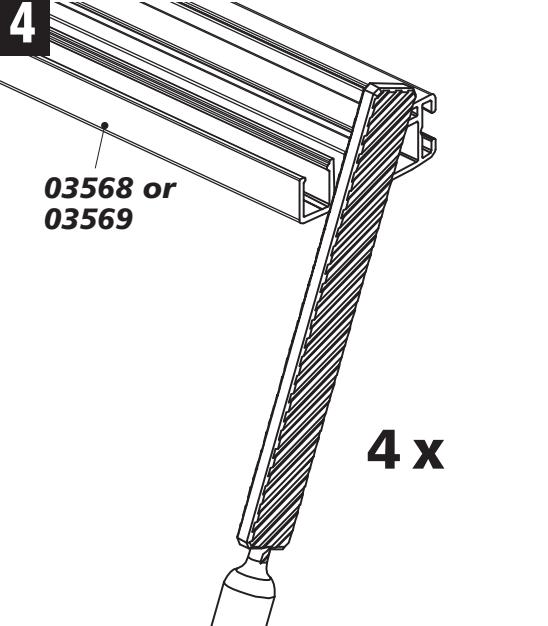
03568 or 03569

3



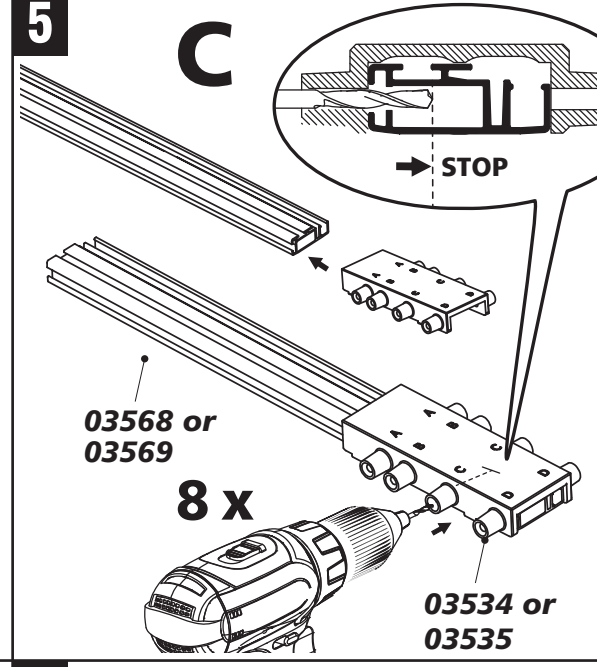
90° 4 x

4



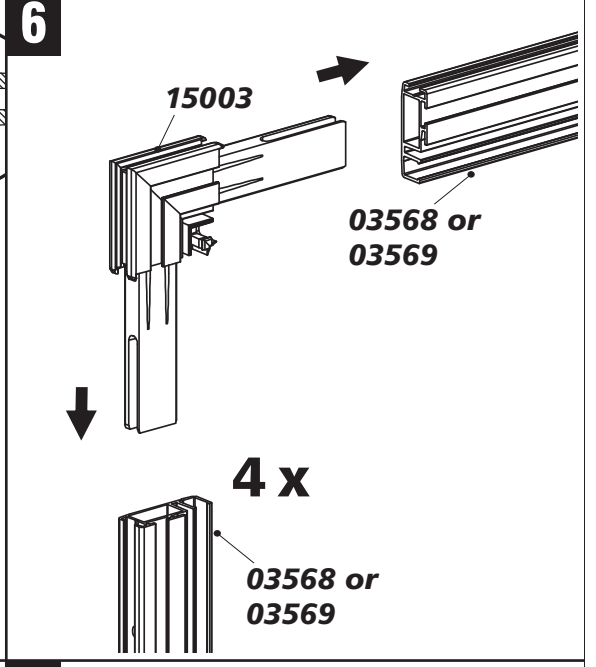
03568 or 03569 4 x

5



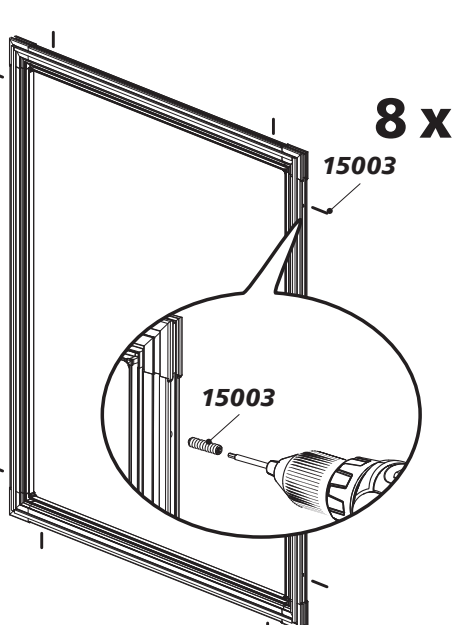
03568 or 03569 8 x 03534 or 03535

6



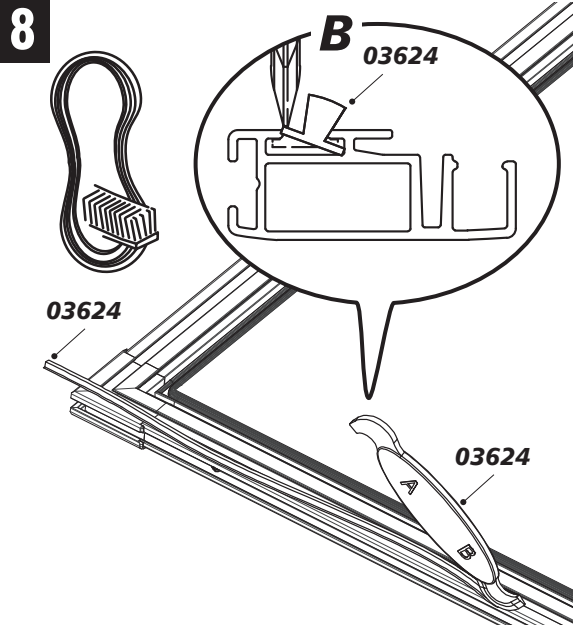
15003 03568 or 03569 4 x 03568 or 03569

7



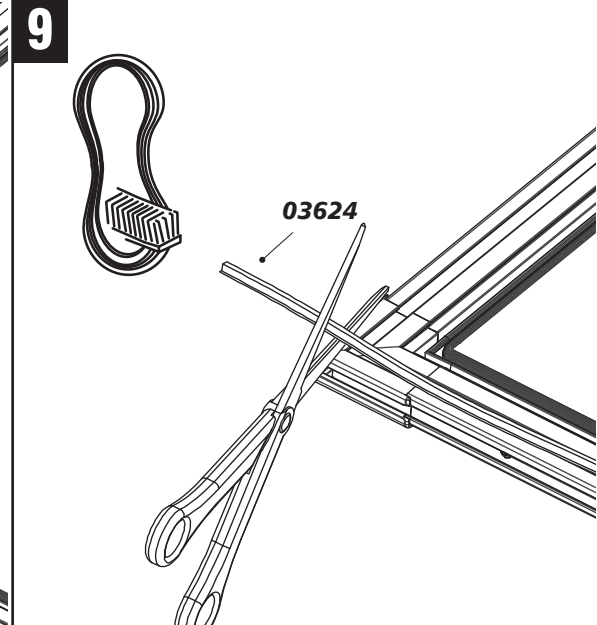
8 x 15003

8



03624 03624 03624

9



03624

10

