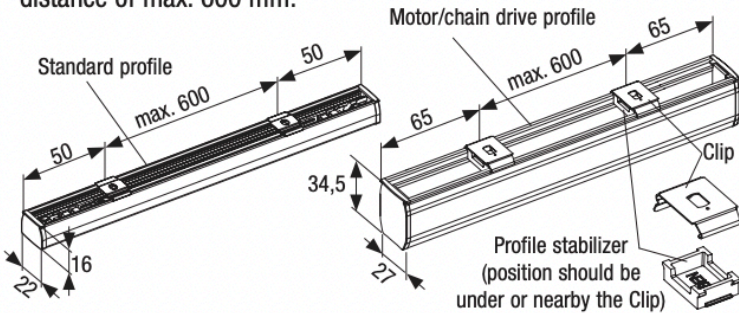


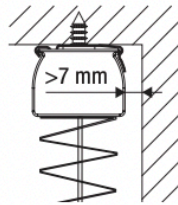
Clip mounting

Mount the clips 50 mm (standard profile) and 65 mm (motor / chain profile) respectively from the end of the headrail, and with a distance of max. 600 mm.



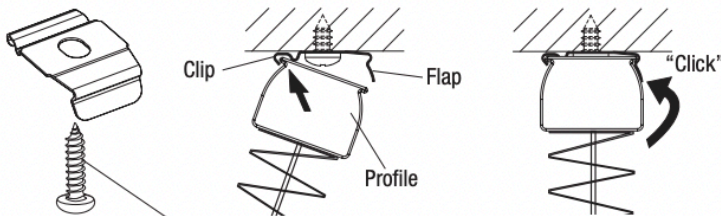
All dimensions in millimetre!

Attention: It is recommended to mount the clip with the flap forward (into the room). The clip can **only** be mounted with the flap toward the window or the pane respectively, in case the distance to the rail is **min. 7 mm**.



Ceiling mounting with Clip

Place the profile in the back edge of the clip and push the front of the profile upwards (till it clicks in).



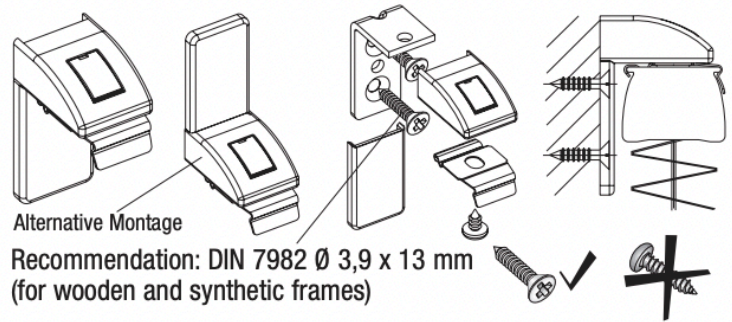
Recommendation: DIN 7981 Ø 3,9 x 16 mm (for wooden and synthetic frames)



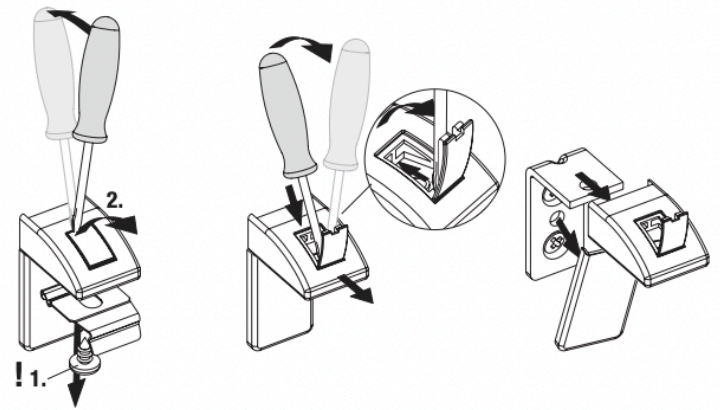
When **dismounting**, push the flap of the clip upwards to be able to take the profile out of the clip.

Mounting possibilities

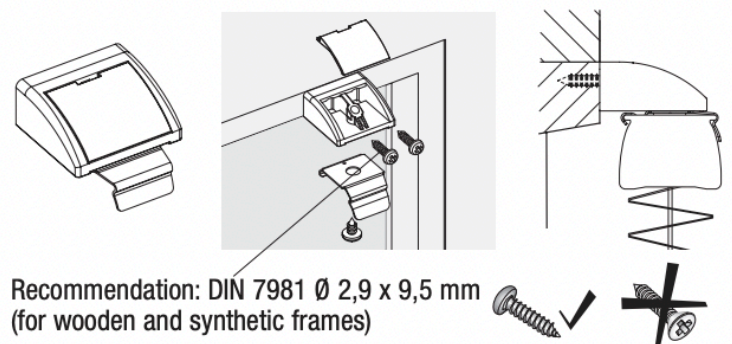
Wall installation with mounting bracket and clip



Dismantle mounting bracket



Installing the window moulding with moulding locking strip and clip



Mounting window frames with holding clamps

