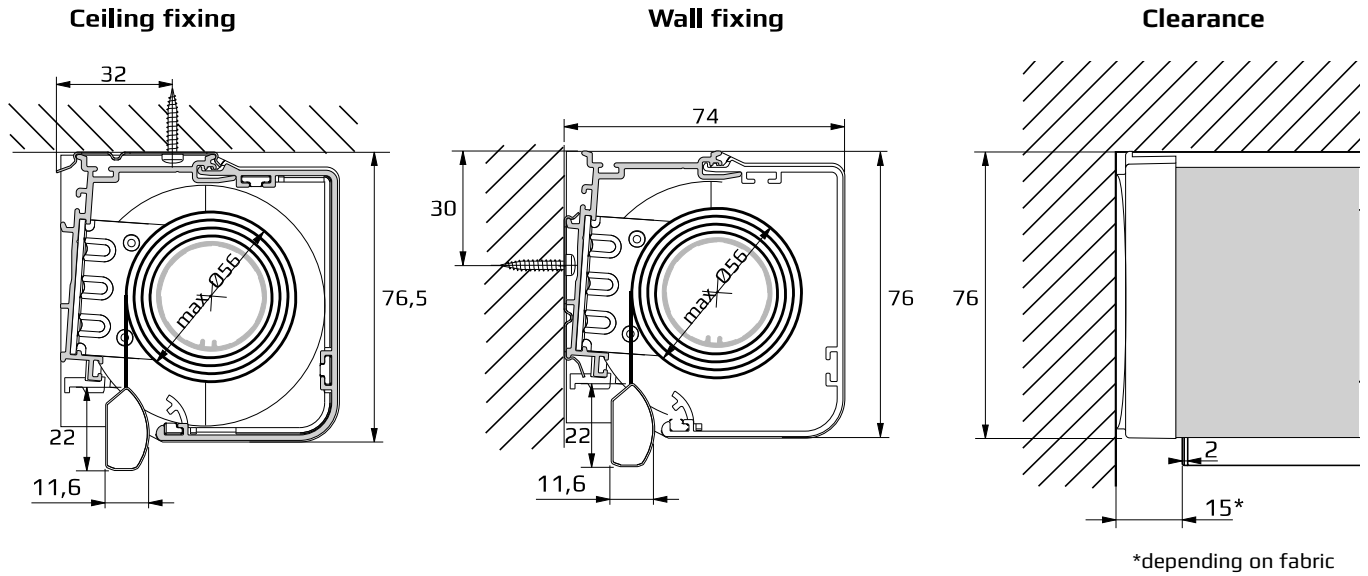
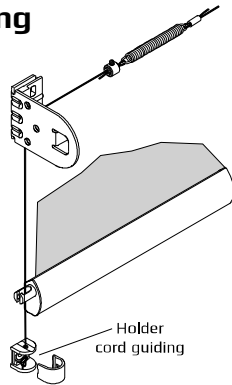


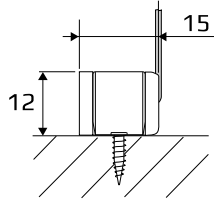
Fixing



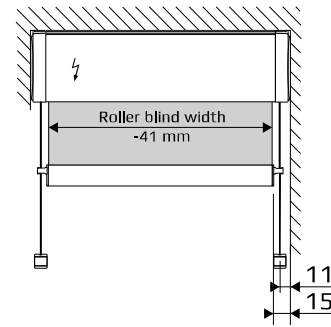
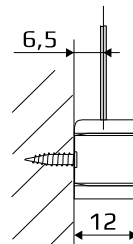
Cord guiding



Reveal fixing

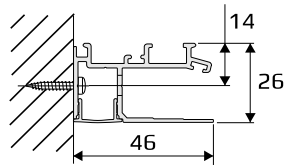


Wall fixing

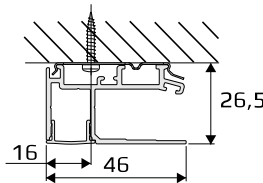


Profil guiding

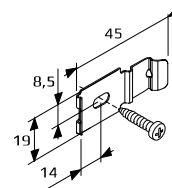
Fixing in the reveal



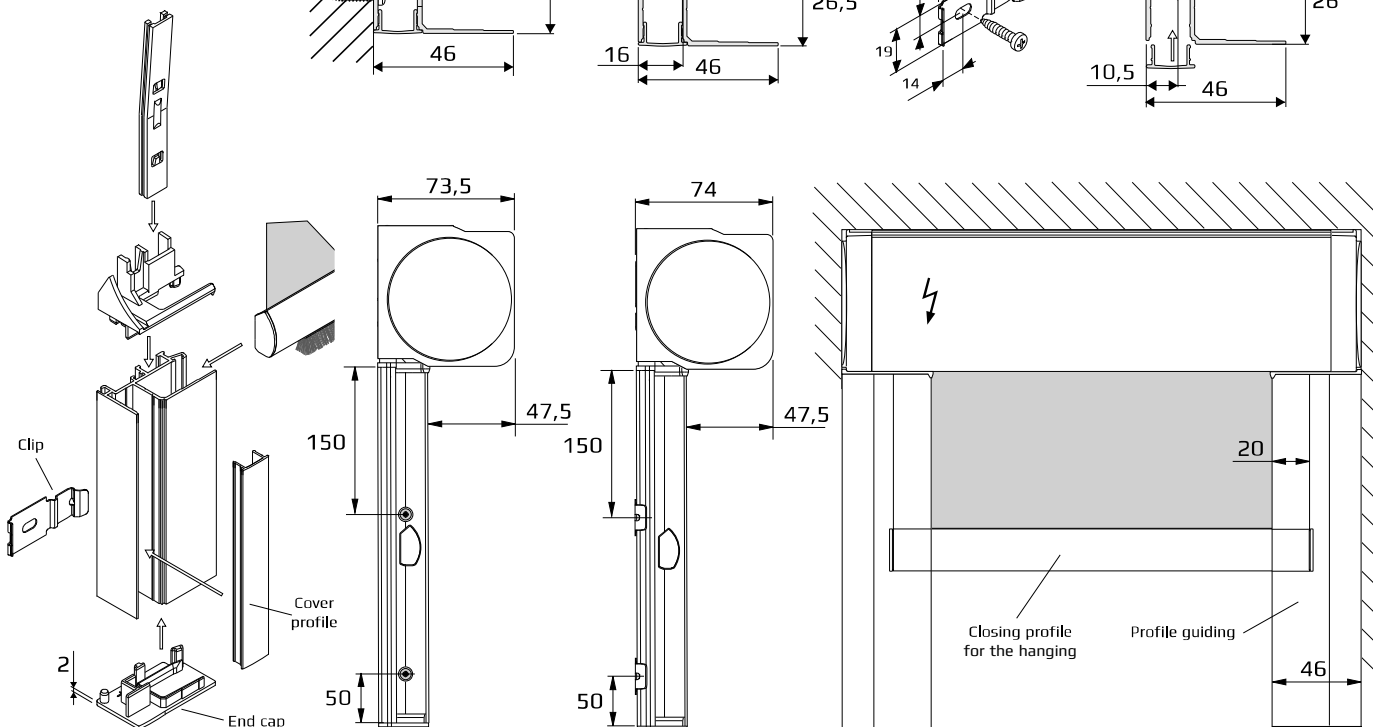
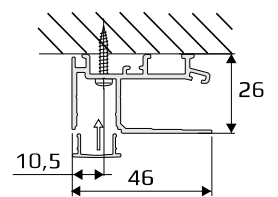
Fixing with clip in front of the window



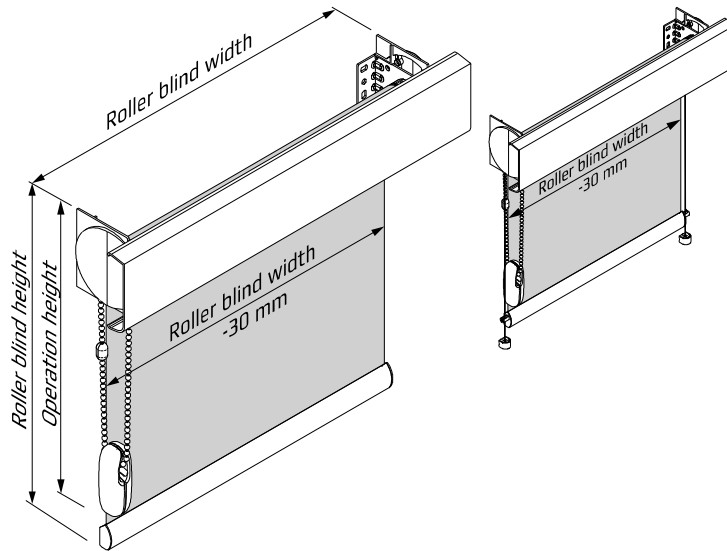
Fixing Clip for Cassette and Profil guiding



Fixing in front of the window



**RM41 - Roller blind medium with cover profile angular and lateral chain operation.
Optional Cord guiding.**



Dimensions

- **width:** min. 0,30 m
max. 2,80 m (depending on fabric)
max. 2,80 m per blind coupled (depending on fabric)
- **height:** max. 3,00 m (depending on fabric)
max. braking capacity 5,0 kg

Type

- Side-pull gear with protection against unwinding by means of a **Brake mechanism**. The Brake mechanism permits the exact, steplessly adjustable positioning of the fabric in any desired position.
- **Cover profile angular** (17,5 x 69,5) of extruded aluminium (Al Mg Si 0,5 F22) fitted on the angular end cap of the brackets. Optional overlap possible each side.
- **Tube shaft** (Ø27,0 / Ø36,0) of steel (0,35 mm K40)
- **Precision shaft** (Ø29,0 / Ø38,0) of extruded aluminium (Al Mg Si 0,5 F22).
- **Two-profile bottom rail** (11,0 x 21,0 mm) of extruded aluminium (Al Mg Si 0,5 F22), also for cord guiding, optional tight brushes.
- **Bottom rail, round** (Ø15,0 mm) of extruded aluminium (Al Mg Si 0,5 F22)
- **Plastic parts** used are of high-quality, UV-resistant, temperatur-resistant and abrasion-proofed material.
- **Cord guiding** slope angel max. 15°. Steel cord, plastic-coated (Ø1,0 mm), in black.
- **Coupling** up to 3 roller blinds of same type with a single operation. Optional Cord guiding (see page 76).

Operation

- Manual operation- with **Endless ball chain** (Ø4,5 x 6,0 mm) of plastic on polyester cord 1,4 mm in grey, white, black and beige or as frostet surface in clear, grey, black and beige or as **Endless steel ball chain** (Ø4,5 x 6,0 mm) nickel plated or stainless steel.
Weight for ball chain (steel core in plastic cage)
- **Operation side:** optional left or right.
- **Operation height:** roller blind height x 0,75 (or individual).
- **Bead stop** by matching chain connector.

Colour

- **Cover profile angular** (17,5 x 69,5): technically anodised to E6/EV1 in silver or powder coated white (RAL 9016), black (RAL 9005), or beige (RAL 1015).
- **Bottom rail**
Two-profile bottom rail (11,0 x 21,0 mm): technically anodised to E6/EV1 in silver or powder coated white (RAL 9016), black (RAL 9005), or beige (RAL 1015).
Bottom rail, round (Ø15,0 mm): technically anodised to E6/EV1 in silver and G2 in gold or white (RAL 9016).
- **Fixing brackets:** galvanized, white (RAL 9016)
- **Visible plastic components** are available in white, grey, black, beige or clear.

Fabric

- **Weight of fabric** max. 5,0 kg.

Fixing

- **Bracket fixing** on wall, ceiling or reveal.
- **Cord guiding:** the guide wire fixings (plastic) can be fitted directly on the frame or underneath.