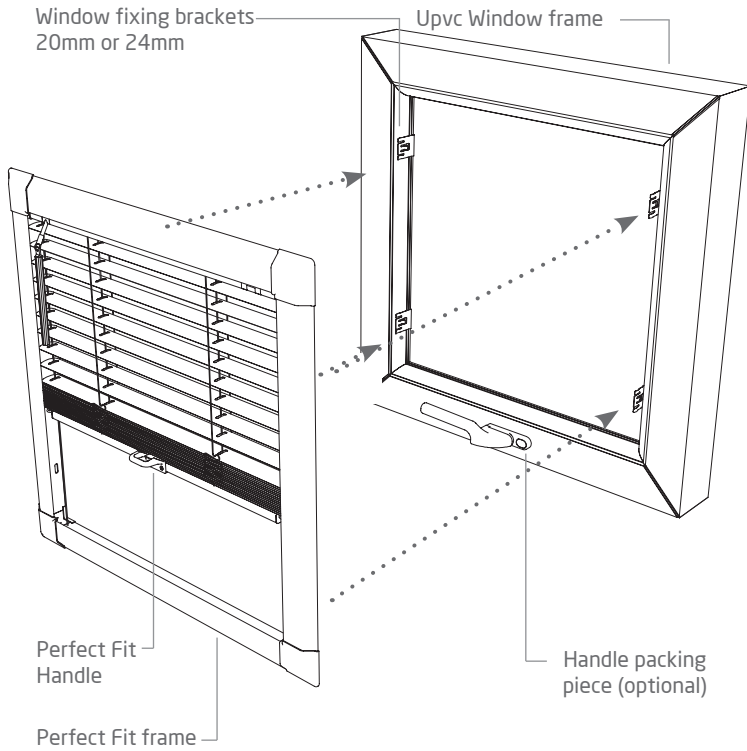
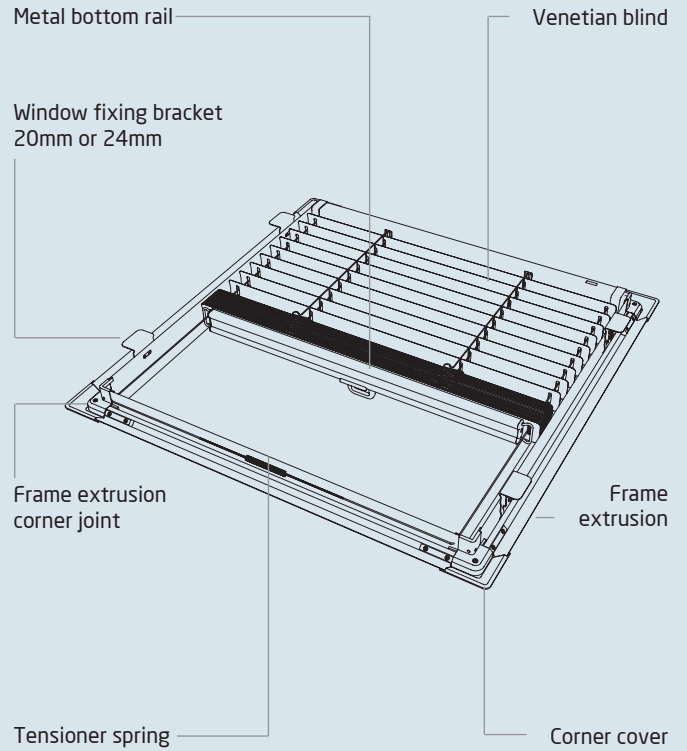


Perfect Fit -Venetian Blind System

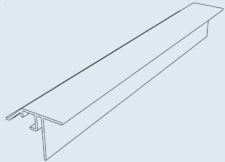
FRONT VIEW



REVERSE VIEW HEADRAIL



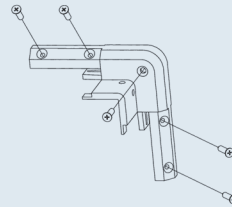
Frame Extrusion



Product specification

100% Aluminium
5m (5 1/2 yards) lengths
Dimensions: 38mm (1 1/2") x 26mm (1 1/32")
White, brown, silver or golden oak

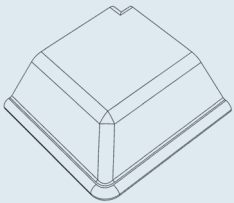
Extrusion Corner Joint



Product specification

Nylon 6
Dimensions: 55mm (2 3/16") x 55mm (2 3/16")
White, grey, tan or brown

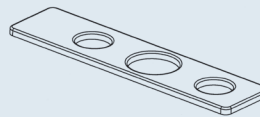
Corner Cover



Product specification

Nylon 6
Dimensions: 43mm (1 11/16") x 43mm (1 11/16")
White, grey, tan or brown

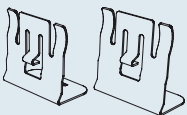
Window Handle Packing Piece



Product specification

Nylon 6
Dimensions: 92mm (3 1/16") x 19mm (3/4")
Depth: 2mm or 6mm
White or brown

Window Fixing Bracket: 20mm or 24mm Recess



Product specification

Dimensions 20mm recess:
30mm (1 3/16") x 29mm (1 1/8") x 19mm (3/4")
Dimensions 22mm recess:
30mm (1 3/16") x 32mm (1 1/4") x 19mm (3/4")
White, brown or silver

Window Fixing Bracket: Velux* Compatible



Product specification

Dimensions Velux* compatible bracket:
30mm (1 3/16") x 70mm (2 3/4") x 19mm (3/4")
White or grey

*Velux® is a registered trade name of Velux Group

CI/SfB 1976 reference by SfB Agency

(76.7) X

Louvolite, Ashton Road, Hyde, Cheshire SK14 4BG
T: 0161 882 5000 F: 0161 882 5009
email: orders@louvolite.com www.louvolite.com

PERFECT FIT
LOUVOLITE®