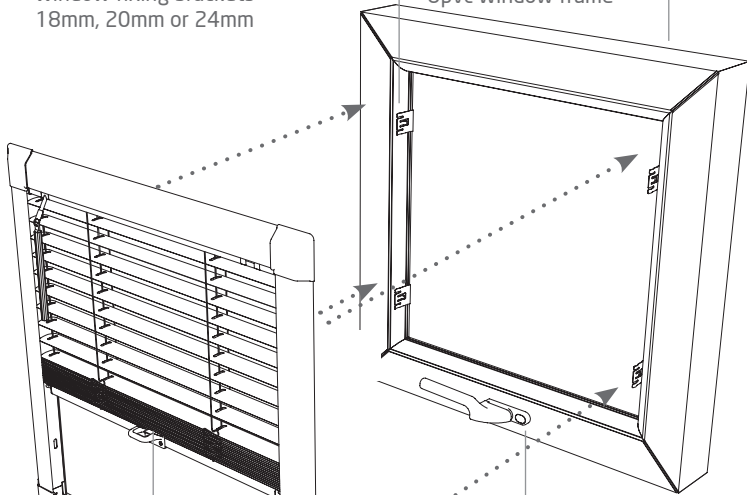


Perfect Fit - Pleated Blind System

FRONT VIEW

Window fixing brackets
18mm, 20mm or 24mm

Upvc Window frame



Perfect Fit
Handle

Perfect Fit frame

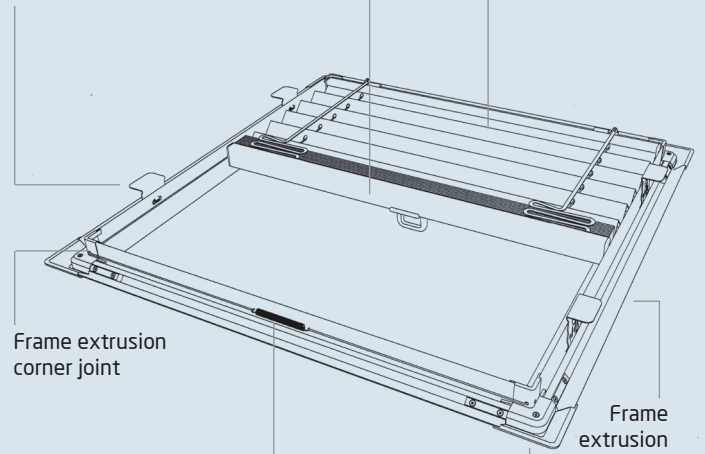
Handle packing
piece (optional)

REVERSE VIEW HEADRAIL

Aluminium bottom
rail and pvc cover

Pleated blind

Window fixing bracket
18mm, 20mm or 24mm



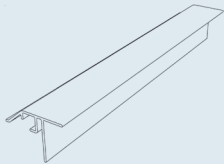
Frame extrusion
corner joint

Tensioner spring

Frame
extrusion

Corner cover

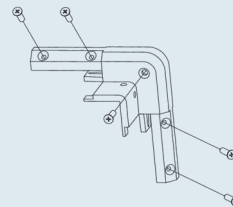
Frame Extrusion



Product specification

100% Aluminium
5m (5 1/2 yards) lengths
Dimensions: 38mm (1 1/2") x 26mm (1 1/32")
White, brown, silver or golden oak

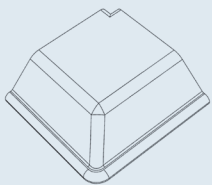
Extrusion Corner Joint



Product specification

Nylon 6
Dimensions: 55mm (2 3/16") x 55mm (2 3/16")
White, grey, tan or brown

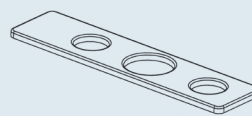
Corner Cover



Product specification

Nylon 6
Dimensions: 43mm (1 11/16") x 43mm (1 11/16")
White, grey, tan or brown

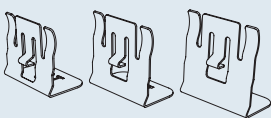
Window Handle Packing Piece



Product specification

Nylon 6
Dimensions: 92mm (3 1/16") x 19mm (3/4")
Depth: 2mm or 6mm
White or brown

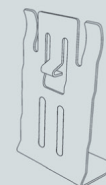
Window Fixing Bracket: 18mm, 20mm or 24mm Recess



Product specification

Dimensions 18mm recess:
30mm (1 3/16") x 26mm (1 1/16") x 19mm (3/4")
Dimensions 20mm recess:
30mm (1 3/16") x 29mm (1 1/8") x 19mm (3/4")
Dimensions 22mm recess:
30mm (1 3/16") x 32mm (1 1/4") x 19mm (3/4")
White, brown or silver

Window Fixing Bracket: Velux* Compatible



Product specification

Dimensions Velux* Compatible Bracket:
30mm (1 3/16") x 70mm (2 3/4") x 19mm (3/4")
White or grey

*Velux® is a registered trade name of Velux Group

CI/SfB 1976 reference by SfB Agency

(76.7) X

Louvolite, Ashton Road, Hyde, Cheshire SK14 4BG
T: 0161 882 5000 F: 0161 882 5009
email: orders@louvolite.com www.louvolite.com

PERFECT FIT
LOUVOLITE®