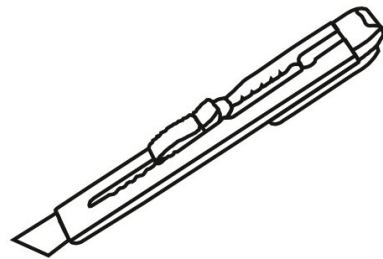
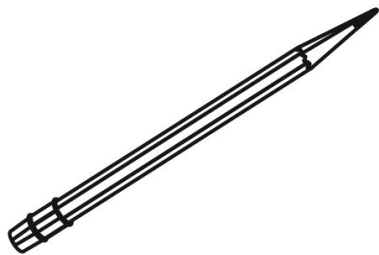
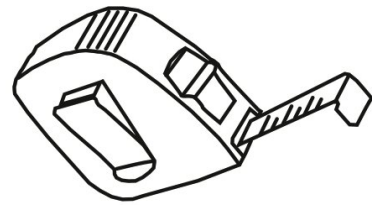
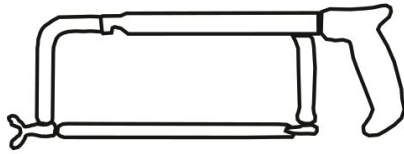
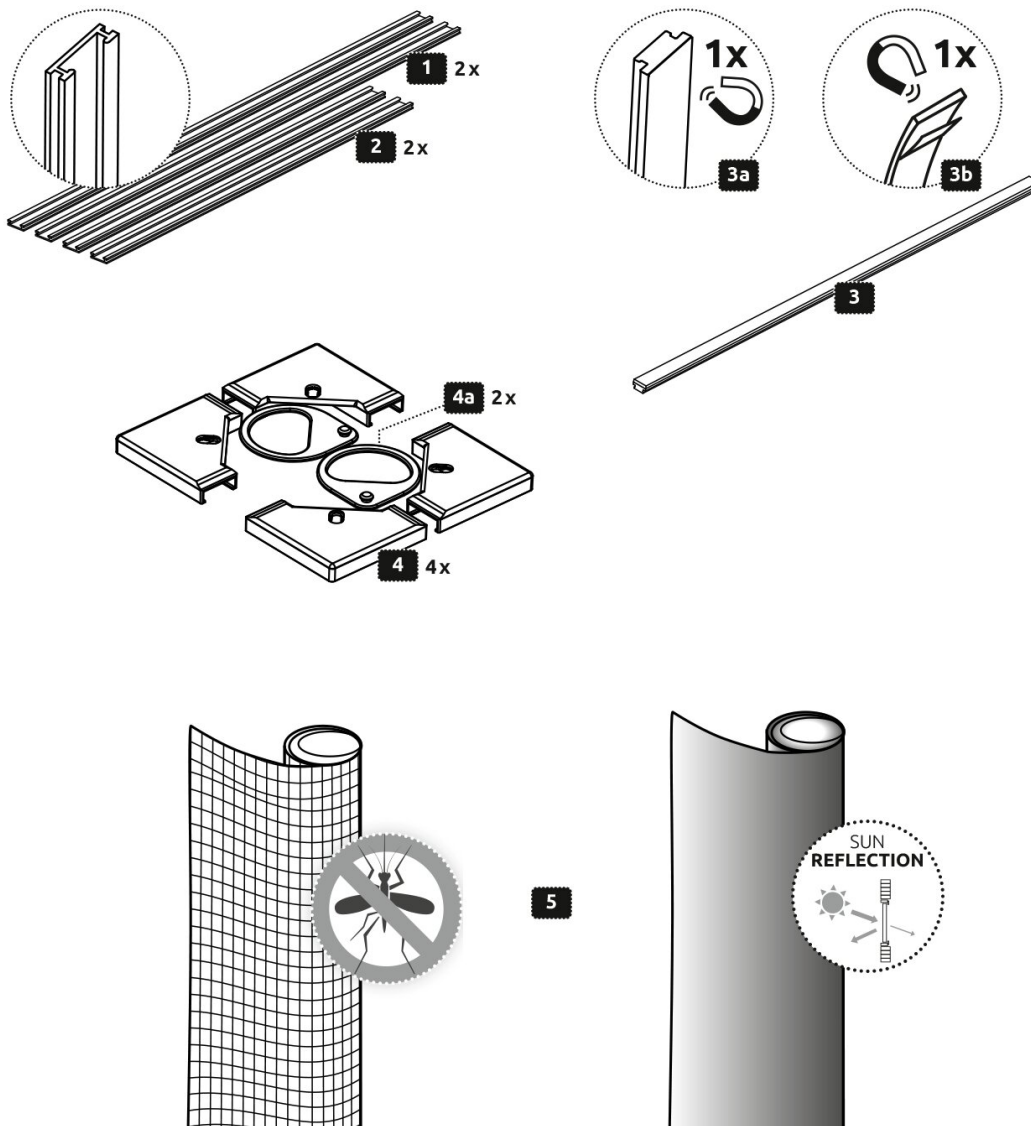


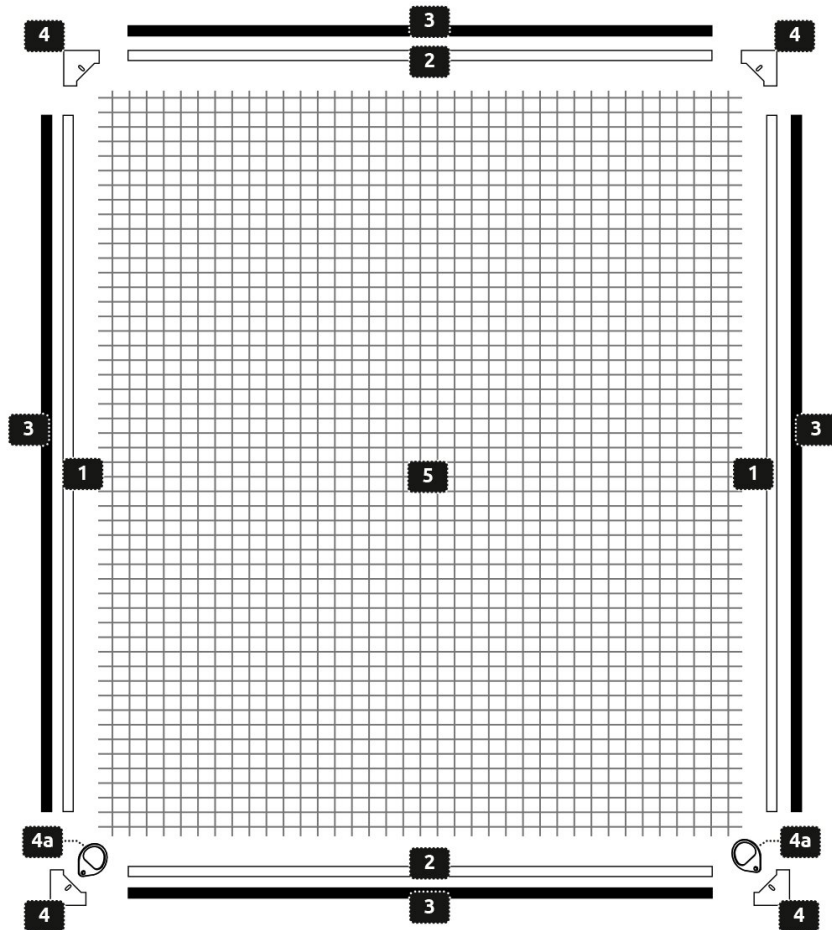
Required Tools



Contents



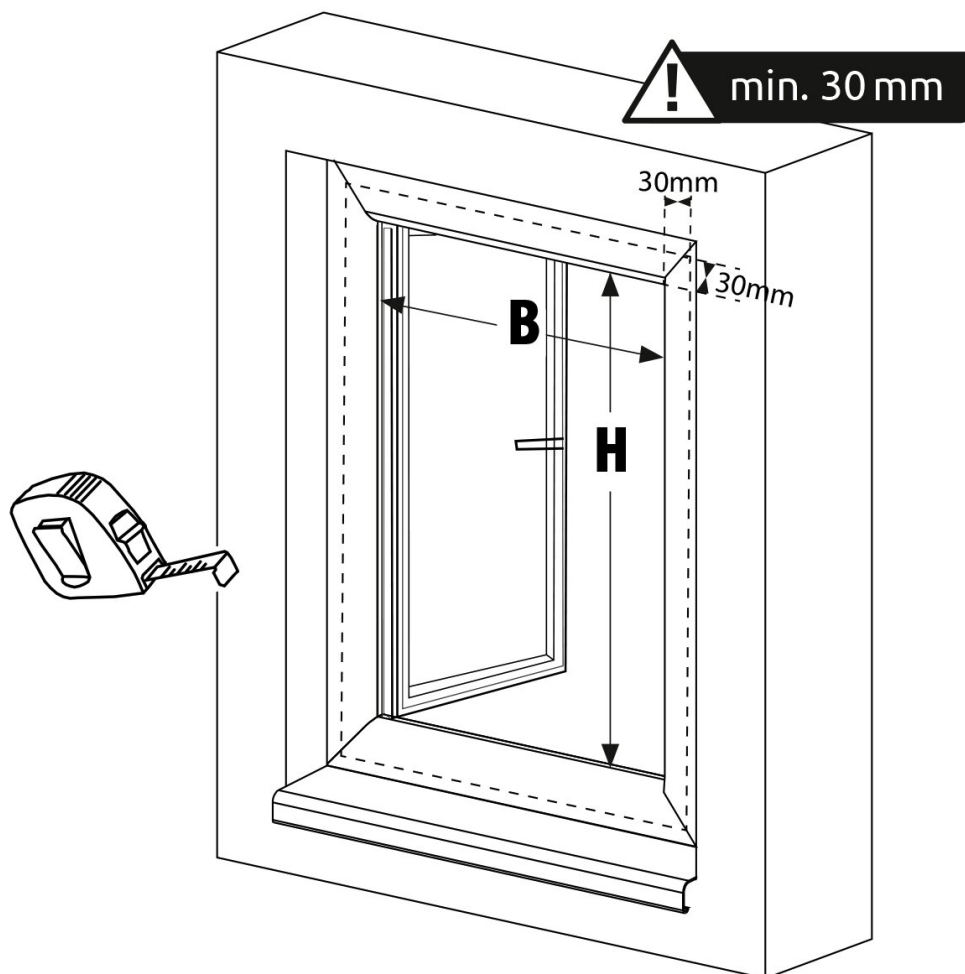
Overview



1

Measure the clearance width measurement B, by determining the horizontal inner distance of the open window. Measure the clearance height measurement H, by measurement the vertical inner distance to the open window. Attention: You will need a contact area of at least 30 mm surrounding the frame, in order to install the frame. Notice: Take care to take the measurements in millimetres. 1 cm = 10 mm.

1



Maß | Measurement | Dimensions **B**:.....mm

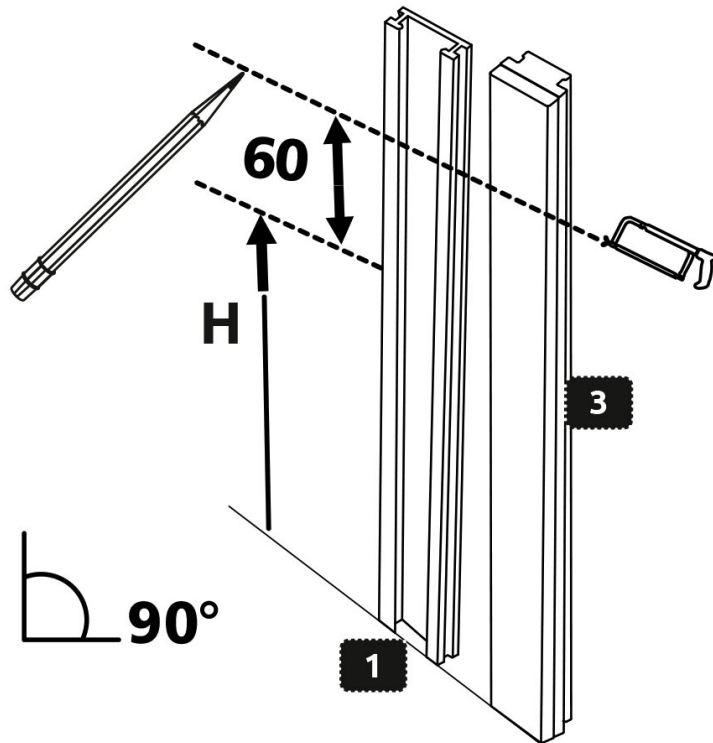
Maß | Measurement | Dimensions **H**:.....mm

2

Mark both sections 1 and magnet strips 3 with measurement H plus 60 mm. Shorten both sections at the marked point with a metal saw. Example: Measured clearance height H = 1000 mm + 60 mm = 1060 mm. Attention: Risk of injury! Use the saw with caution.

2

$H + 60 \text{ mm} =$ 



Maß | Measurement | Dimensions H: mm

+ 60 mm

= mm




Schnittmaß | Trim size | Dimensions de coupe

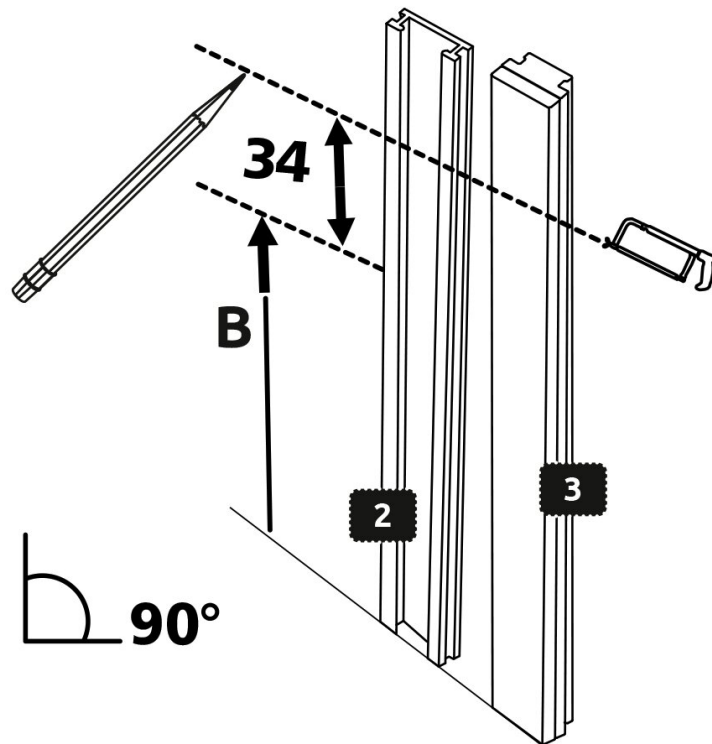
2x

3

Mark both sections 2 and magnet strips 3 with measurement B plus 34 mm. Shorten both sections at the marked point with a metal saw. Example: Measured clearance width B = 800 mm + 34 mm = 834 mm. Attention: Risk of injury! Use the saw with caution.

3

B + 34 mm = 



Maß | Measurement | Dimensions

B: mm

+ 34 mm

= mm

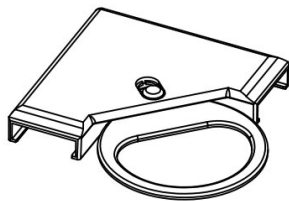
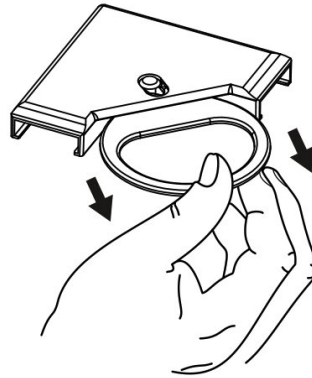
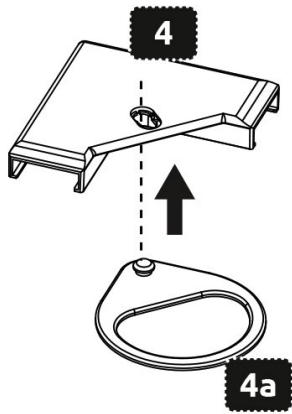


Schnittmaß | Trim size | Dimensions de coupe

2x

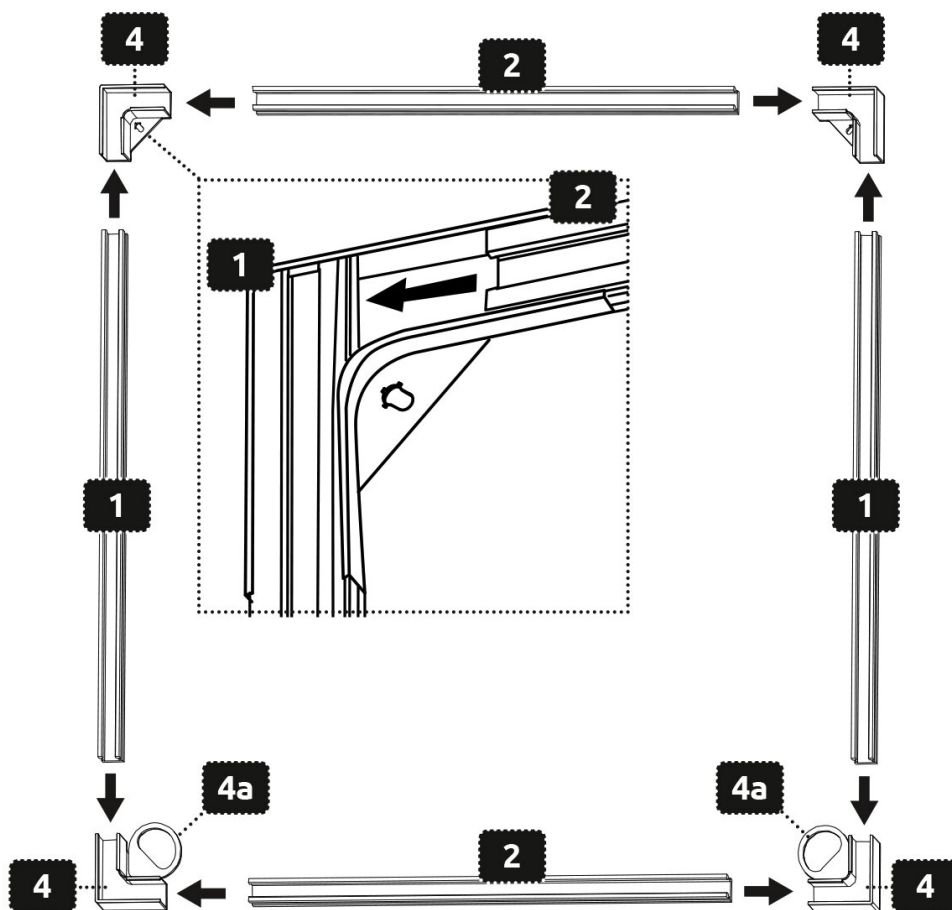
4

Push both grips 4a through the recess of the lower corner connector 4.

4**2x**

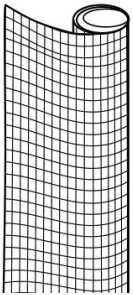
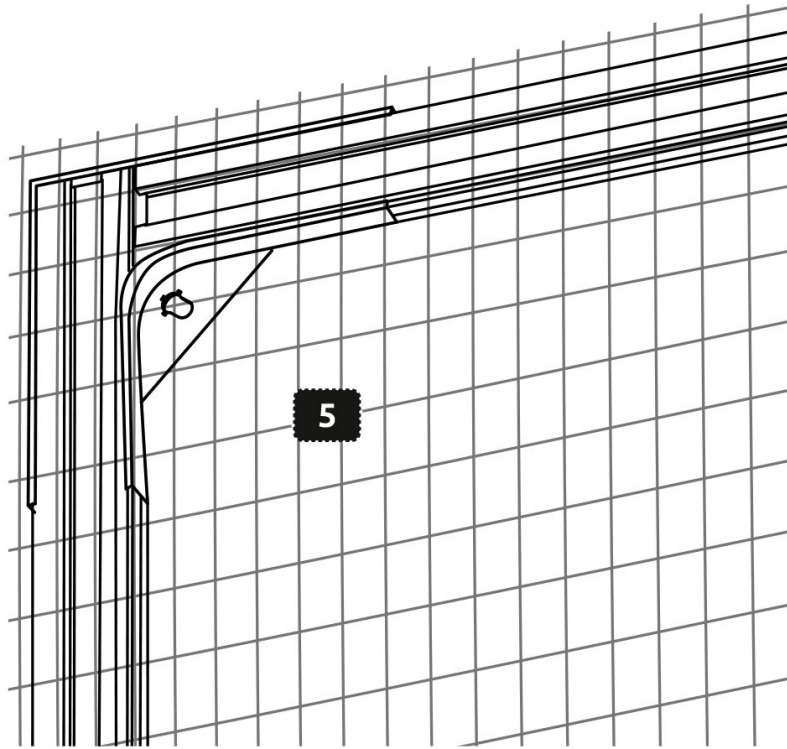
5

Connect sections 1 and 2 with corner connectors 4 to make a frame. Take care to first push section 1 to the end of corner connector 4 .

5

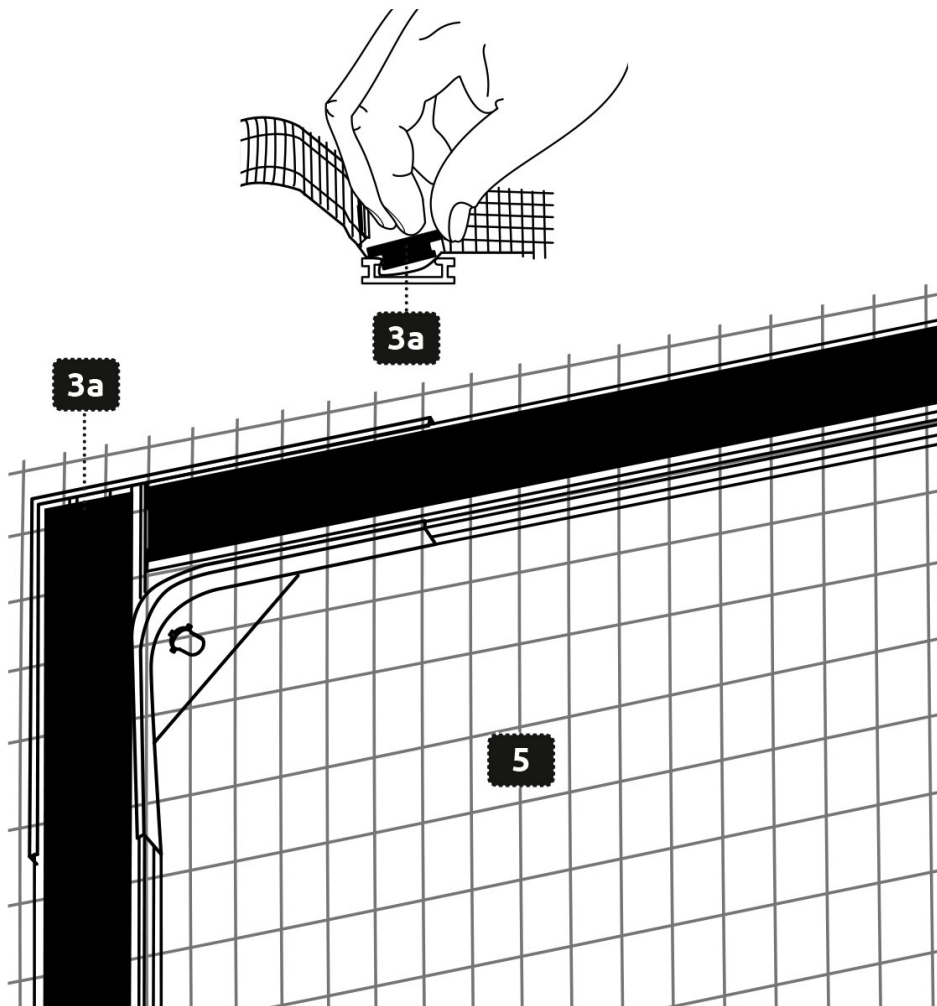
6

Roll the material 5 over the frame.

6

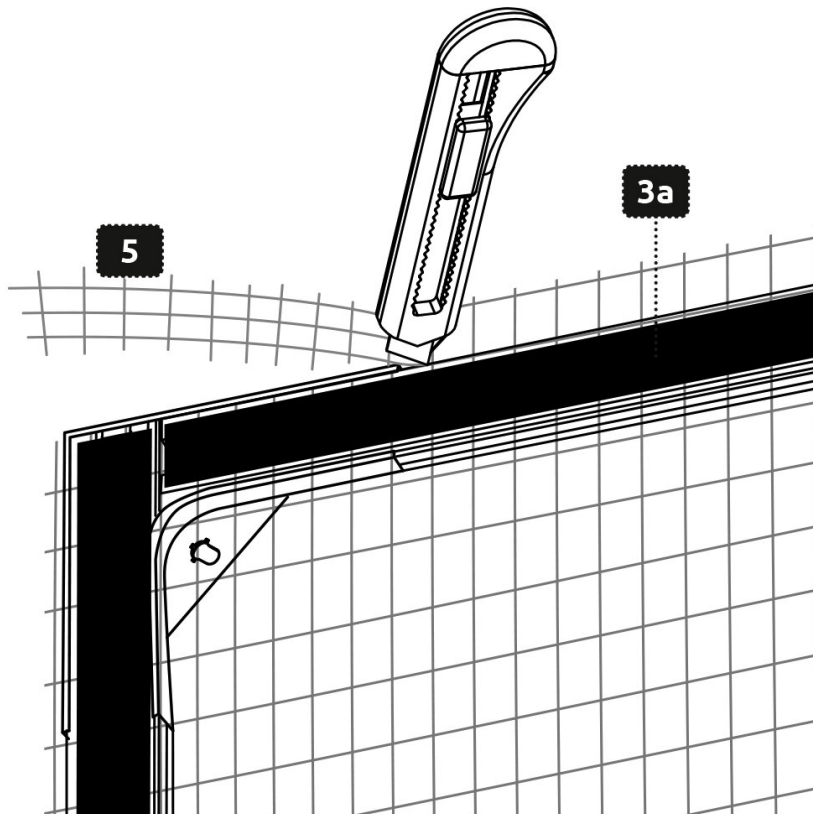
7

Attach the material 5 on all sides with magnetic clamps 3a.

7

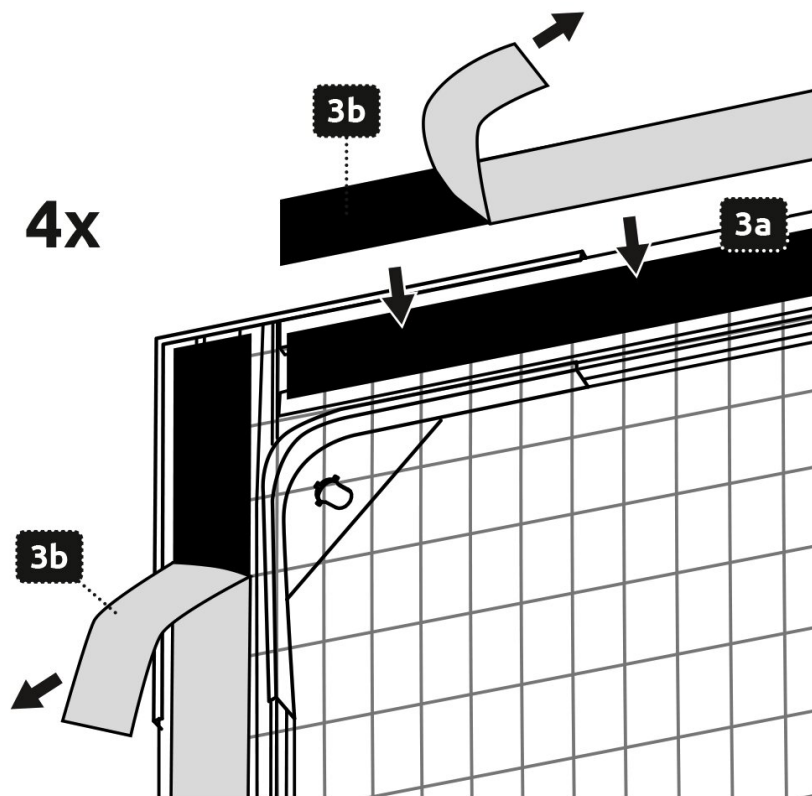
8

Shorten the material 5 on the outer side along the magnetic clamp 10 with a cutter.

8

9

Attach the adhesive magnetic strips 3b to the clamps 3a and then remove the protective film.

9

10

Glue the window evenly to the window frame. The grips 4a are located on the lower side of the window.

10