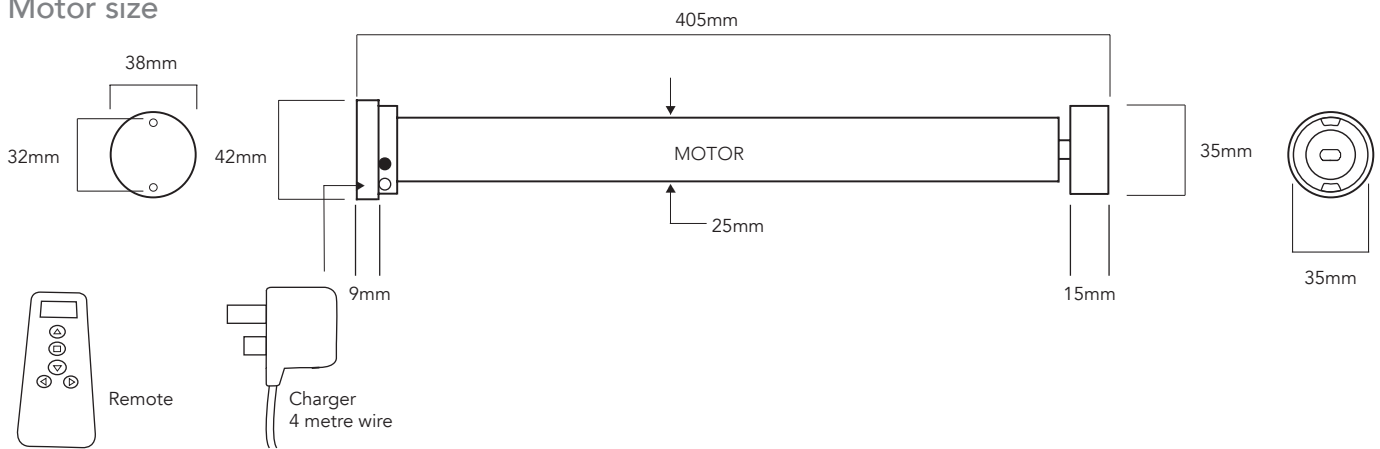


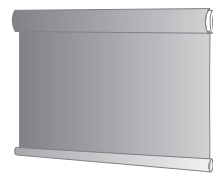
# OneTouch<sup>a</sup> Rechargeable Lithium Motor with remote - for 35/40mm tube



## Motor size



Parameters			
Rated torque	1.1Nm	Rated Power	2W
Rated RPM	25 rpm	Rated Current	7.4A
Motor Diameter	25mm	IP Class	IP40
Rated Voltage	DC7V	Inbuilt Receiver	Yes



Roller Blind



Roman Blind  
1.8 x 1.8 (max)



Vision Blind

## Maximum recommended holding weights based on Ex-Lite<sup>®</sup> fabric

Drop (m)	Width (m)										
	0.5	0.8	1.1	1.4	1.7	2	2.1	2.2	2.3	2.4	2.5
0.5	•	•	•	•	•	•	•	•	•	•	•
0.7	•	•	•	•	•	•	•	•	•	•	•
0.9	•	•	•	•	•	•	•	•	•	•	•
1.1	•	•	•	•	•	•	•	•	•	•	•
1.3	•	•	•	•	•	•	•	•	•	•	•
1.5	•	•	•	•	•	•	•	•	•	•	•
1.7	•	•	•	•	•	•	•	•	•	•	•
1.9	•	•	•	•	•	•	•	•	•	•	•
2.1	•	•	•	•	•	•	•	•	•	•	•
2.3	•	•	•	•	•	•	•	•	•	•	•
2.5	•	•	•	•	•	•	•	•	•	•	•
2.7	•	•	•	•	•	•	•	•	•	•	•
2.9	•	•	•	•	•	•	•	•	•	•	•

Please also refer to the Louvolite maximum fabric drop chart.

Parameters	
Material	Ex-Lite <sup>®</sup>
	35
	40

## Features

- Electronic Limits
- Internal receiver
- Operated by R.F. remote
- Compatible with Roller brackets 32/40
- Battery Life: Rechargeable
- Minimum blind width 455mm
- Weight Capacity 3kgs\*
- Tube deductions 35mm\*

\* When using Louvolite components and 35mm tube

# Components for OneTouch™ Rechargeable Lithium Motor with remote - for 35/40mm tube

