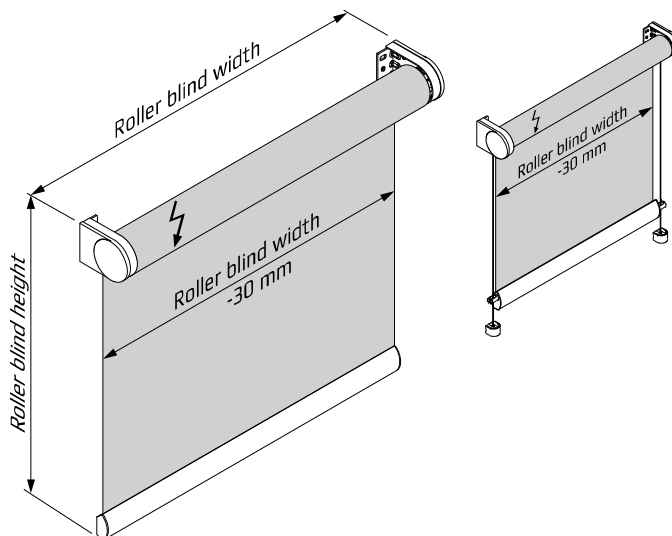


**RM06 - Roller blind medium with fixing bracket and motor operation.  
Optional Cord guiding.**



**Dimensions**

- **width:** min. 0,30 m  
max. 2,80 m (depending on fabric)  
max. 2,80 m per blind coupled (depending on fabric)
- **height:** max. 3,00 m (depending on fabric)  
max. braking capacity 3,5-4,5 kg

**Type**

- **Roller blind with drive motor:**  
Unwinding by means of a motor. The motor can be operated via switch on the wall or by remote control and permits the exact, steplessly positioning of the fabric in any desired position.
- **Tube shaft** (Ø27,0 / Ø36,0) of steel (0,35 mm K40)
- **Precision shaft** (Ø29,0 / Ø38,0) of extruded aluminium (Al Mg Si 0,5 F22).
- **Two-profile bottom rail** (11,0 x 21,0 mm) of extruded aluminium (Al Mg Si 0,5 F22), also for cord guiding, optional tight brushes.
- **Bottom rail, round** (Ø15,0 mm) of extruded aluminium (Al Mg Si 0,5 F22)
- **Plastic parts** used are of high-quality, UV-resistant, temperatur-resistant and abrasion-proofed material.
- **Cord guiding** slope angel max. 15°. Steel cord, plastic-coated (Ø1,0 mm), in black.
- **Coupling** up to 3 roller blinds of same type with a single operation. Optional Cord guiding (see page 76).

**Operation**

- **Roller blind drive motor SOMFY Sonesse 30 RTS**  
Protection class: II, index of protection: IP 31, rated torque: 2 Nm, rated speed: 28 rpm, rated voltage: 24 V, frequency: 50 Hz, rated current: 750 mA, weight: 0.495 kg, tube diameter: 36, 38 mm, length: 407 mm, connection: 2.5 m cable, connecting cable: 2 x 0.25 mm².
- **Roller blind drive motor SOMFY Sonesse LT28**  
Protection class: II, index of protection: IP 44, rated torque: 0.7 Nm, rated speed: 34 rpm, rated voltage: 24 V, frequency: 50 Hz, rated current: 380 mA, weight: 0.280 kg, tube diameter: 27, 29, 36, 38 mm, length: 285 mm, connection: 2.5 m cable, connecting cable: 2 x 0.25 mm².

**Colour**

- **Bottom rail**  
**Two-profile bottom rail** (11,0 x 21,0 mm): technically anodised to E6/EV1 in silver or powder coated white (RAL 9016), black (RAL 9005), or beige (RAL 1015).  
**Bottom rail, round** (Ø15,0 mm): technically anodised to E6/EV1 in silver and G2 in gold or white (RAL 9016).
- **Fixing brackets:** galvanized, white (RAL 9016)
- **Visible plastic components** are available in white, grey, black, beige or clear.

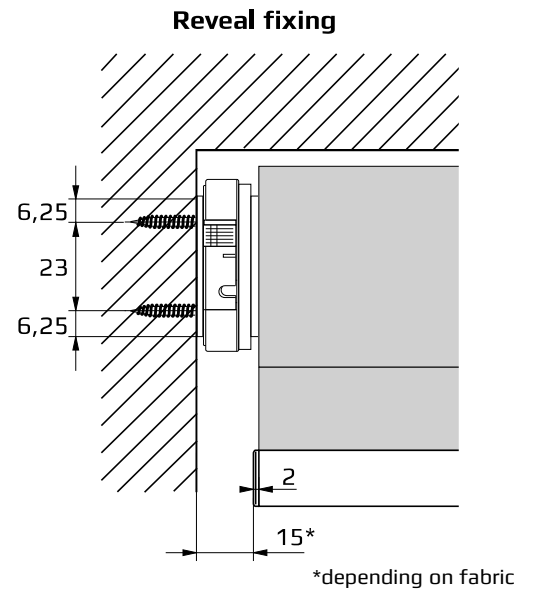
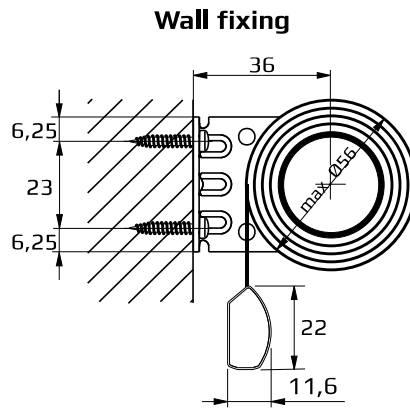
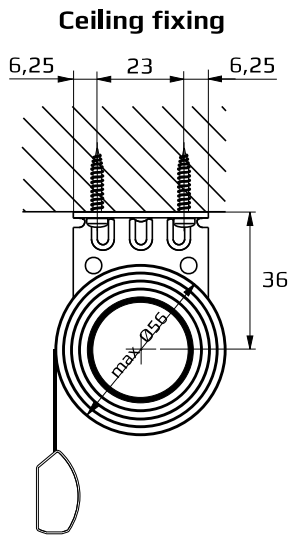
**Fabric**

- **Weight of fabric** max. 3,4-4,5 kg.

**Fixing**

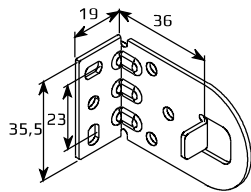
- **Bracket fixing** on wall, ceiling or reveal.
- **Cord guiding:** the guide wire fixings (plastic) can be fitted directly on the frame or underneath.

**Fixing**

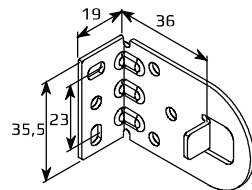
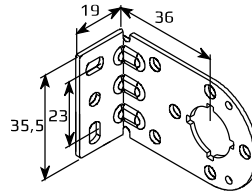


**Backets and Endcaps**

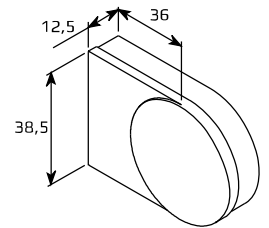
**Bracket 36 mm for  
SOMFY Sonesse 30 RTS**  
adaptive for cord guiding



**Bracket set for  
SOMFY Sonesse LT 28**  
adaptive for cord guiding



**End cap-wide**



**Cord guiding**

