

## Roller Blind System - Multiple Blind Options



Duo link operation

### Duo link operation

The System 40® and 40+® Duo Link operating system allows two blinds to have fully independent operation whilst sharing a common centre support bracket. Such a combination can prove of use when covering a large glass area and with the need to



Multi link operation

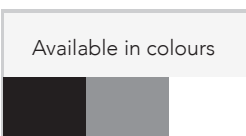
### Multi link operation

The System 40® and 40+® Multi Link operating system allows multiple blinds to be joined together with a shared single control mechanism. This facilitates one action being required to raise or lower the blinds simultaneously. The capacity of the lifting

### Power drive options

The System 40® and 40+® operating system can be used in conjunction with Somfy Power Drive systems either as individual blinds or as part of a building management control system. Please discuss these options with your preferred supplier of Louvolite Blinds System 40® and 40+® roller blind operating systems.

## Louvolite Side Control Systems Maximum Recommended Blind Size



System	Fabric Group	Blind Width (metres)					Max holding weight
		0.50	1.00	1.50	2.00	2.50	
System 40®	up to 200 g/m sq	5.00	5.00	5.00	5.00	5.00	9lb blind @ 0.24 inches
	200 > 320 g/m sq	3.75	3.75	3.75	3.75	3.75	
	320 > 485 g/m sq	5.00	5.00	5.00	3.55	2.70	
System 40+®	up to 200 g/m sq	5.00	5.00	5.00	5.00	5.00	18lb blind @ 0.24 inches
	200 > 320 g/m sq	3.75	3.75	3.75	3.75	3.75	
	320 > 485 g/m sq	5.00	5.00	5.00	3.55	2.70	

Also available for blind systems 32®, 45® and 45+®

ARCHITECTS | SPECIFIERS | CONTRACTORS



## Louvolite System 40® and 40+® Roller Blind System

- The Louvolite System 40® Roller Blind System can satisfy most window types with a variety of models to suit the different sizes of blinds
- Manufactured in the UK using quality materials such as aluminium, mild steel, acetate and glass filled nylon plastics.
- All Louvolite Systems are 10 year life cycle tested.
- New Slide Lock® technology provides increased holding weight for smooth operation of larger blinds. Unique anti-fray features of Slide Lock® maintain the appearance of blinds for longer.
- Unique bracket securing pin for safety after installation.
- Guide-wire system is available to hold fabric parallel to the window when the blind is operated.
- Easi-Lift spring operation available for easier operation of heavier blinds.
- Cassette systems available in white, grey or black finish, or the ability to co-ordinate with fabric.



CI/SIB 1976 reference by SIB Agency

(76.7)	X
--------	---



## Hardware Specification

### System 40® and System 40+® Roller System

Roller Blinds should be manufactured using the Louvolite System 40® or System 40+® Roller Blind mechanisms with specifically designed grooved 40mm aluminium tubing. The specified fabrics should be formed into and held into the tube with locking tape. The side control units should be manufactured in the UK and made from glass filled Nylon 6, with an acetal sprocket and sprocket guard and include a locking spring.

The operating chain should be No.10 size in metal to ensure reliable performance. The brackets used should be made from mild steel, zinc plated and powder coated and be suitable for top or face fixing.

A spring plunger end mechanism should be located at the opposite end to the control mechanism

This provides a more secure fit of the blind between the

brackets, and enhanced smoothness of operation. The side control unit should be fitted with a centre plug that ensures the mechanism operates smoothly even under extreme loads.

### Performance

To ensure a positive performance, all Louvolite Roller System units are manufactured in the UK using prime quality plastic materials and a dedicated steel locking spring. The sidewinders will lock into the bracket with the unique bracket securing pin for safety after installation.

10 year life cycle testing is done to ensure long lasting performance. The units will accept both metal or plastic rotation chain providing a smooth operation of the blinds.

### Operation

Operation is with No.10 metal or plastic rotation chain to raise and lower the blinds. All blinds must be compliant with

the child safety elements of BS EN13120. Where children maybe present, the chain must be fitted with easybreak connectors or cord tidy devices.

### Bottom Bar

The bottom bar should be either aluminium or plastic and covered with fabric. Silver or white round bottom bars are available with the fabric formed and locked into the top part to leave the bar exposed.

### Maintenance

All of the System 40® Roller Blind System components are manufactured using aluminium and plastic. They do not present any corrosion problems in normal environments. The system has been designed for a smooth operation, together with a rigidity to prolong the window blind's working life. Manufacturing guidelines for the size restrictions for each model are included in this specification brochure.



### System 40® and 40+® Cassette Roller Blind System

Roller Blinds with Cassettes should be manufactured as per the standard Louvolite System 40® and System 40+® and include the specially designed powder coated cassette system with dedicated top or face fix brackets. On specification the user has the choice between a single coloured extrusion in dedicated colours or a fascia which will incorporating the same fabric or contrasting fabric used on the roller blind.

### System 40® and 40+® Guide Wire Roller Blind System

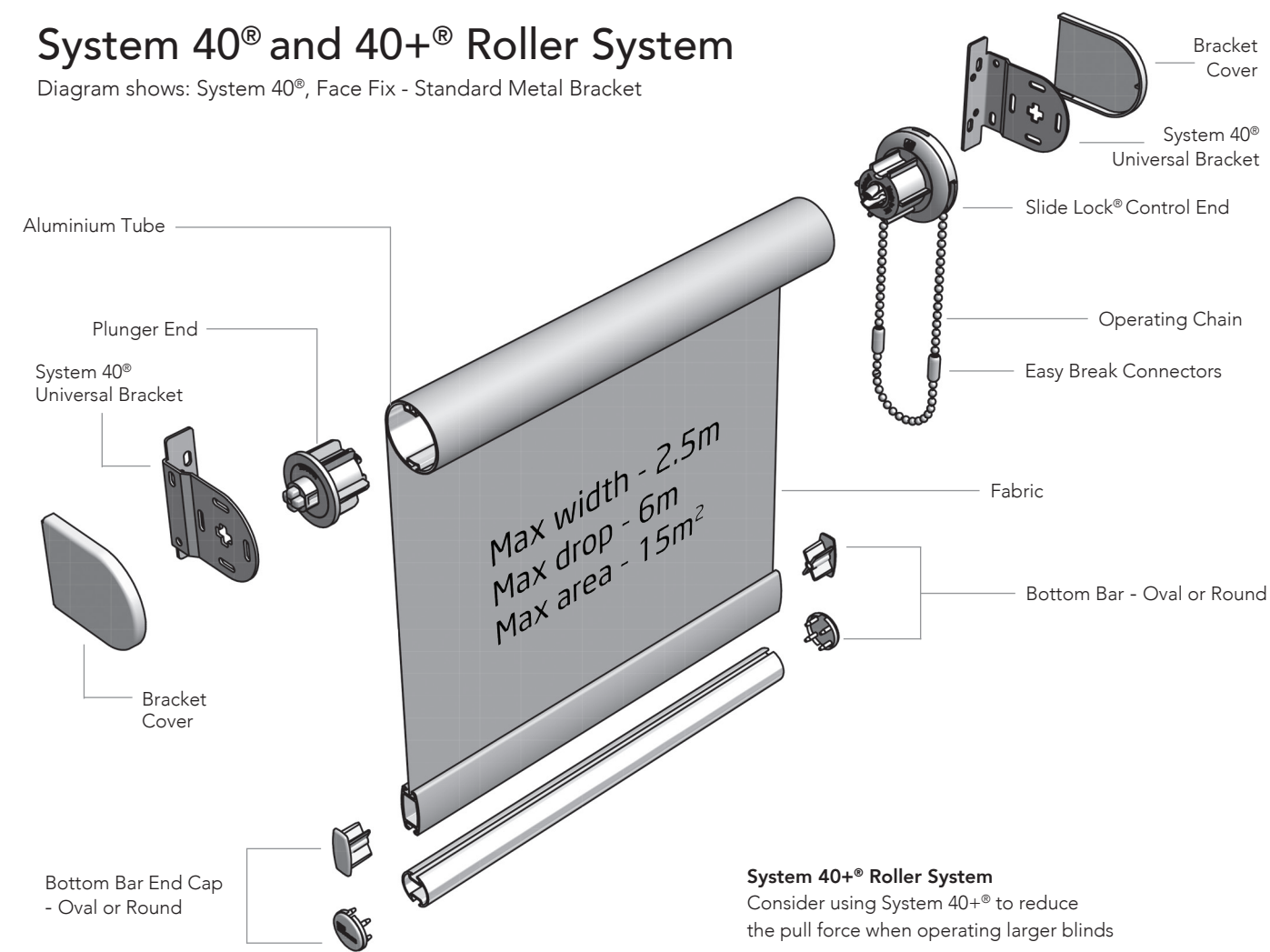
Roller Blinds with guide wires should be manufactured as per the standard Louvolite System 40® and System 40+® and include dedicated brackets, PVC coated wire and glass filled nylon plastic base or side fixing units.



Your Louvolite System 40® and 40+® Distributor:

## System 40® and 40+® Roller System

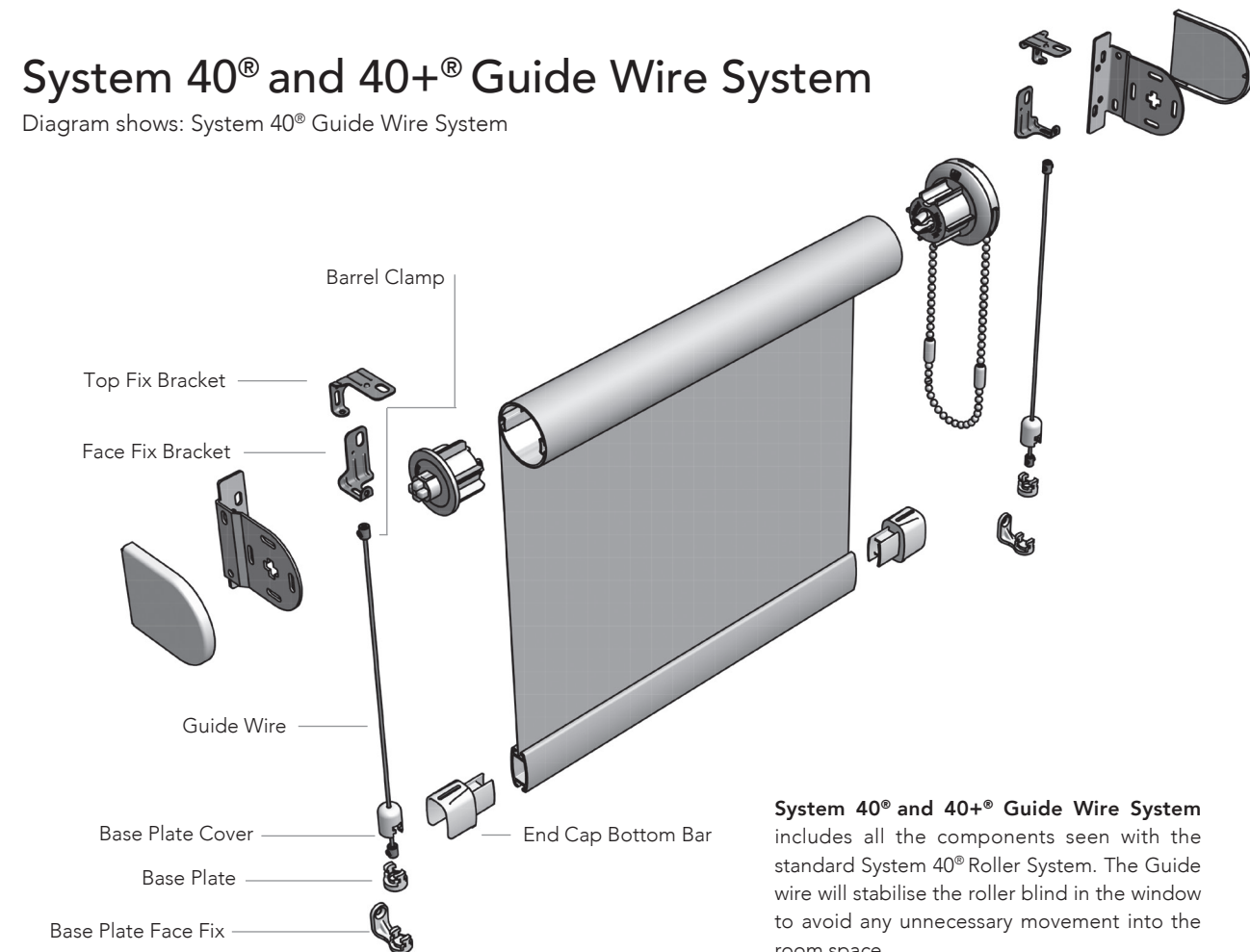
Diagram shows: System 40®, Face Fix - Standard Metal Bracket



**System 40+® Roller System**  
Consider using System 40+® to reduce the pull force when operating larger blinds

## System 40® and 40+® Guide Wire System

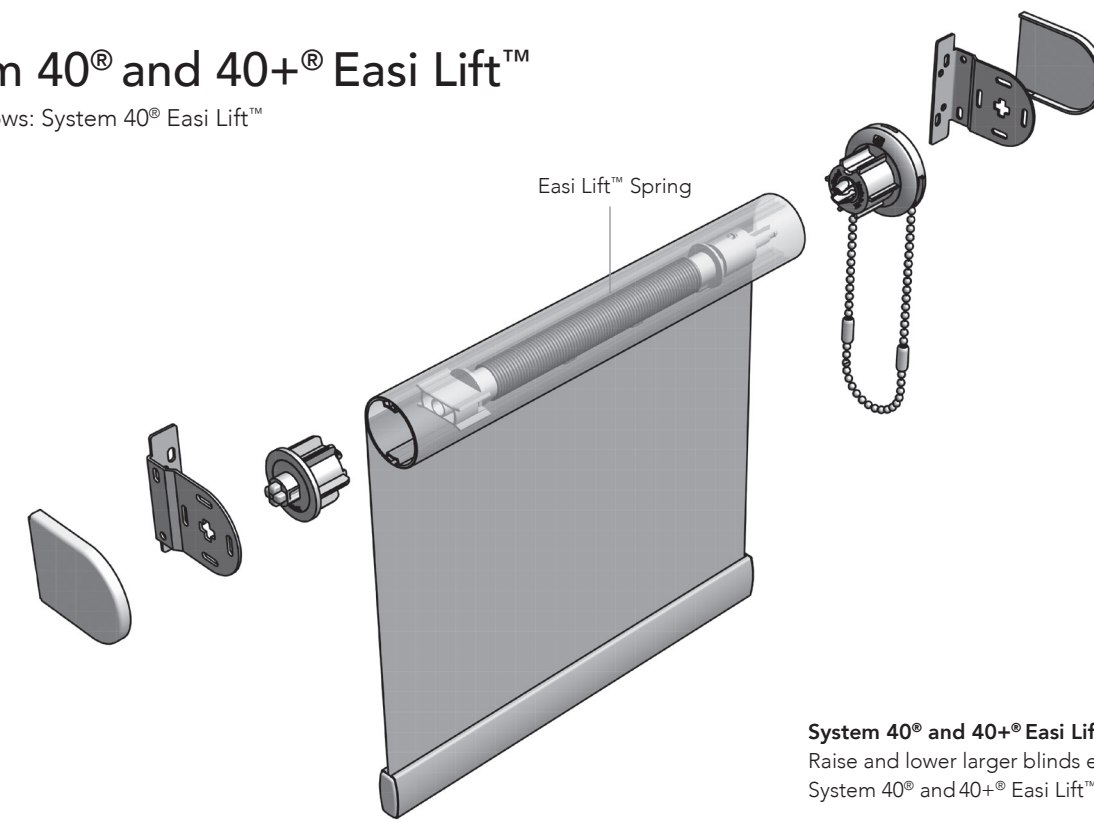
Diagram shows: System 40® Guide Wire System



**System 40® and 40+® Guide Wire System** includes all the components seen with the standard System 40® Roller System. The Guide wire will stabilise the roller blind in the window to avoid any unnecessary movement into the room space.

## System 40® and 40+® Easi Lift™

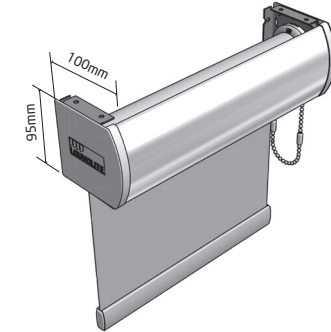
Diagram shows: System 40® Easi Lift™



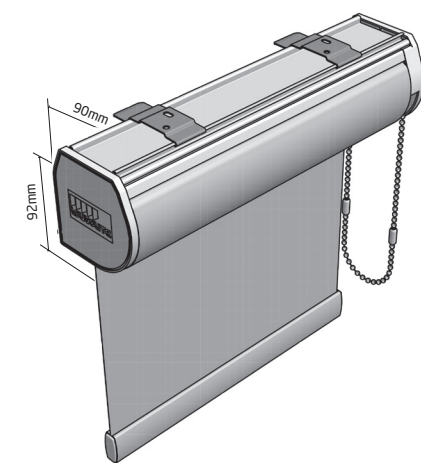
**System 40® and 40+® Easi Lift™**  
Raise and lower larger blinds effortlessly with System 40® and 40+® Easi Lift™.

## Additional options

System 40® and 40+® 3 Inch Curved Fascia



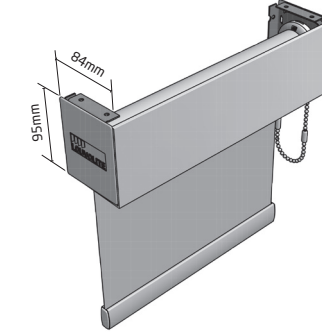
Cassette System 40® and System 40+®



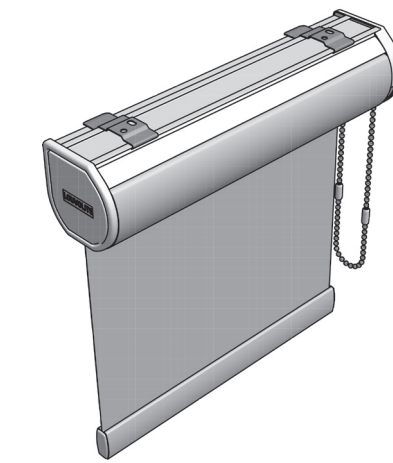
### Fascia

With brackets manufactured from heavy gauge stove enamelled steel and fascia from aluminium, these units serve to house the roller shade and operating system. The use of cassette or fascia systems can allow window blinds to integrate more easily into particular glazing installations or to effect the desired aesthetic impact.

System 40® and 40+® 3 Inch Square Fascia



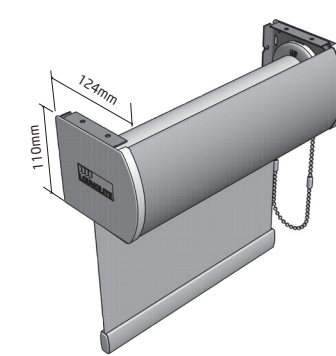
Hybrid Cassette (System 40® only)



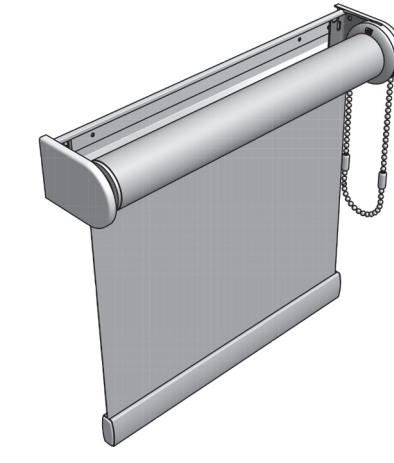
### Cassette

All component parts and fabric are enclosed within a rounded fascia resulting in a compact, robust system with a streamlined appearance. Fast, multiple installations can be achieved using brackets that can be fitted along the whole length of the cassette. The snap fix fascia can be white, grey or black or with a matching fabric profile.

System 40+® 4 inch Curved Fascia



Back Bar Mounting Plate/Brackets

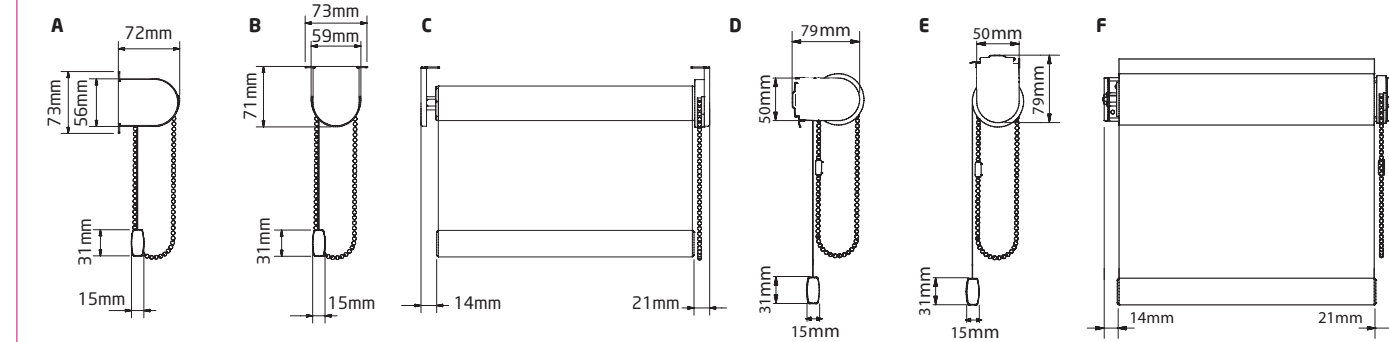


### Back Bar Mounting Plate/ brackets

Stove enamelled finish on galvanised steel. The mounting brackets are designed to allow top or face fix installations. The bracket design enables quick and simple installation whilst minimising the light gap between the blind and the recess.

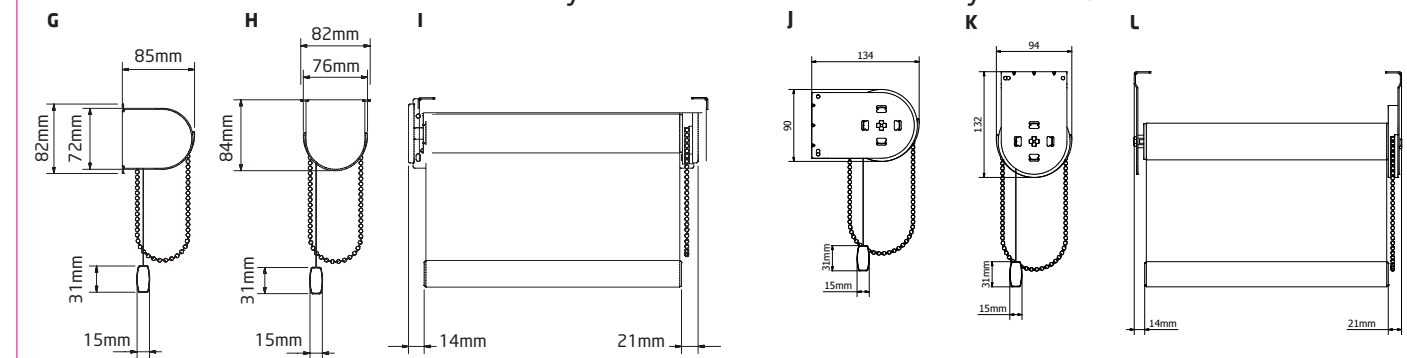
## System 40® and 40+® - Bracket Dimensions

System 40®



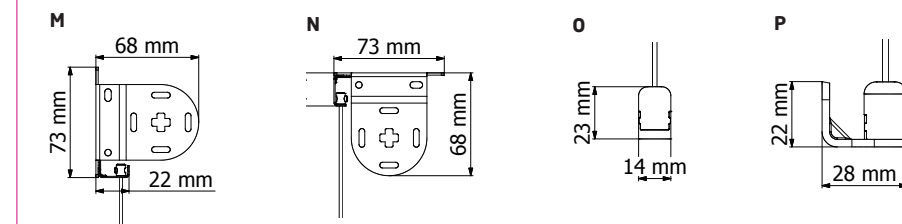
• A. System 40® Standard Metal Bracket Face Fix • B. System 40® Standard Metal Bracket Top Fix • C. System 40® Standard Metal Bracket Top Fix Front View  
• D. System 40® Back Bar Face Fix • E. System 40® Back Bar Top Fix • F. System 40® Back Bar Top Fix Front View

System 40+®

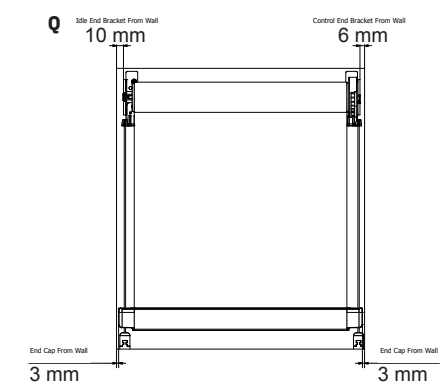


• G. System 40+® Standard Metal Bracket Face Fix • H. System 40+® Standard Metal Bracket Top Fix • I. System 40+® Standard Metal Bracket Top Fix Front View  
• J. System 40®/45® Extension Bracket Face Fix • K. System 40®/45® Extension Bracket Top Fix • L. System 40®/45® Extension Bracket Top Fix Front View

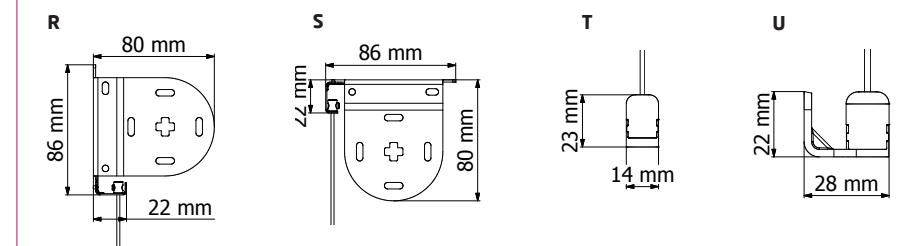
System 40® Guide Wire



• M. System 40® Guide Wire Bracket Face Fix • N. System 40® Guide Wire Bracket Top Fix  
• O. System 40® Guide Wire Base Plate • P. System 40® Guide Wire Base Plate - Face Fix  
• Q. System 40® Guide Wire Bracket Top Fix Front View



System 40+® Guide Wire



• R. System 40+® Guide Wire Bracket Face Fix • S. System 40+® Guide Wire Bracket Top Fix  
• T. System 40+® Guide Wire Base Plate  
• U. System 40+® Guide Wire Base Plate - Face Fix  
• V. System 40+® Guide Wire Bracket Face Fix Front View

