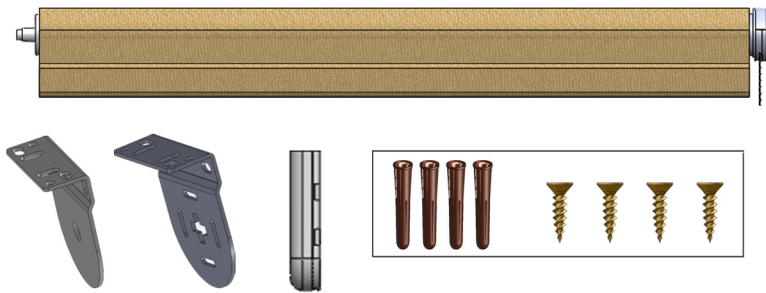


Standard Roller

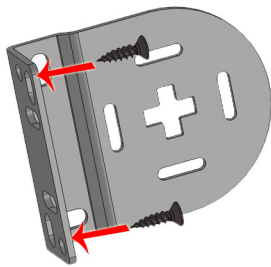


A

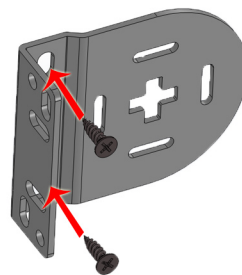


B

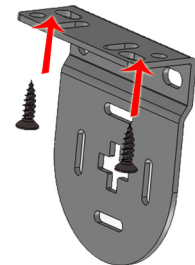
Fit the brackets



Face Fix:
Used for fixing to the surface face, i.e. outside recess or onto window frame. NOT suitable if have uPVC window frame



Recess Fix:
Used for fixing to the recess face. Suitable if have uPVC window frame

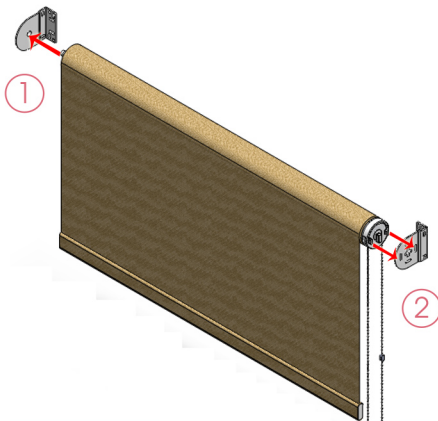


Top Fix:
Used for fixing to the head/lintel. Suitable if have uPVC window frame

Hold each bracket in place and drill two holes per bracket using face shown. Fix using rawl plugs (when required) and screws provided

C

Install Blind



Once the brackets have been fixed, take the roller blind to install:

(1) push the circular spring plunger into the idler end bracket with the circular hole. This will be on the left or right side depending on whether you have decided for left or right hand control.

(2) by pushing in the spring plunger this will enable the sidewinder control to fit into the cross on the opposite bracket. Then pull down on the control side to engage the bracket and fix into position.

Installation of the blind is now complete

D

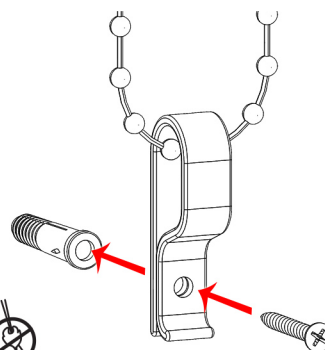
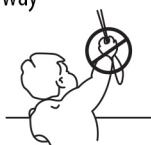
Fit safety device

WARNING

Young children can be strangled by loops in pull cords, chains, tapes and inner cords that operate the product.

To avoid strangulation and entanglement, keep cords out of the reach of young children. Cords may become wrapped around a child's neck. Move beds, cots and furniture away from window covering cords.

Do not tie cords together. Make sure cords do not twist and create a loop.



FIT SAFETY DEVICE

MUST BE INSTALLED AS PART OF BS EN 13120

NOTE: The fixed retaining device should be installed at the maximum distance possible from the control mechanism to prevent the looped pull cord becoming slack.

Pull cord taut around safety device as shown. Drill hole (if required) for safety device. Fix screw into position through ports shown.

Ensure the distance between the two two strands of loop is not more than 50mm at the point of exit from the safety device

Installation of the safety device is now complete. You can now operate your blind safely