

# system41

## 41 mm RETRACTABLE INSECT SCREEN

We produce a series of different sizes and designs of Cassette Roller Insect Screen Systems, developed to suit different design requirements and to meet the needs of demanding markets worldwide.

All the systems have their own distinctive cassette style and combine with a number of interchangeable profiles to create a unique series of retractable screening solutions.

Providing innovative long lasting designs, as a result of studious efforts to optimise performance and efficiency, System Retractable Insect Screens are made from fine micro-extruded aluminium profiles combined with durable nylon accessories and the high quality weatherproof fibreglass mesh from PhiFer Wire Products Inc. And now, every retractable system features the optional Brake for use in both vertical and horizontal applications.

The systems are supplied in convenient bar lengths, according to the profile, of 4.7 mtrs (185") 5 mtrs (197") or 6 mtrs (236"). This allows the fullest optimisation of the system with the minimum of waste.

Guide profiles feature pre-inserted brushpile and the cassette is pre-assembled and complete with mesh fixed to a centre tube and sliding bar.

The major part of preparation is made with one simple cut through the cassette and with simple square cuts to the guides, you have cassette, tube, screen and guides neatly cut for immediate installation. Some systems are also supplied as pre-assembled modules adaptable to the required dimensions and complete with all the accessories.

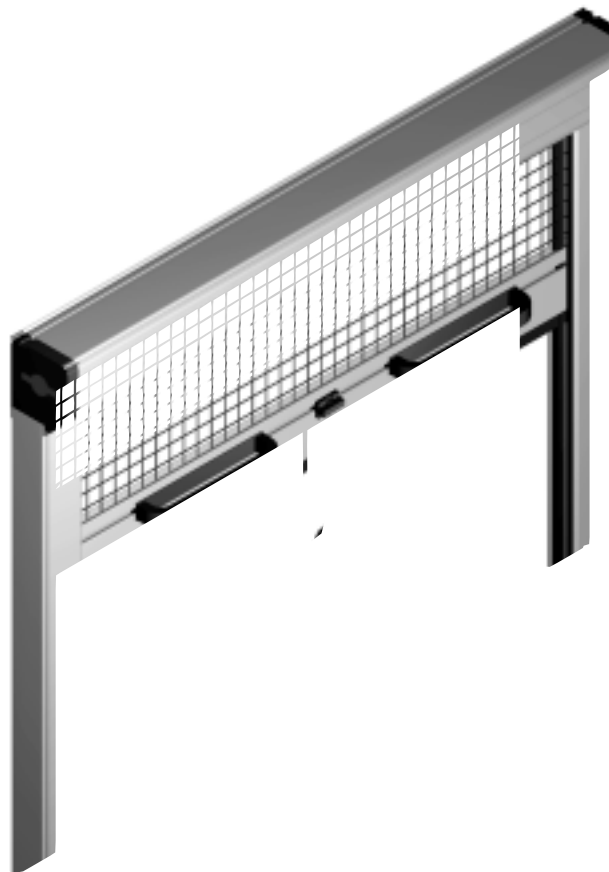
Our Retractable Insect Screen systems are able to be installed on windows and doors, either inside the opening or front fixed, and the appropriate accessory kits include all the components necessary for the different mounting options.

Despite the simplicity of the systems, there are enough options to allow flexibility of choice and quick installation on almost any type of existing frame – providing solutions for both residential and commercial applications.

Each system can be made in a number of window screen configurations or door screens simply by changing the accessories but using the same cassette and inter-changeable guides. Our individual technical data sheets show the combinations and options available in each system.

Compare the versatility and quality with other systems on the market and you will see the difference.

Only first quality materials are used to make our Retractable Insect Screen Systems, so whichever system you install, you know you will get the same high standard of quality and reliability.



## COLOURS AVAILABLE

Anodized Silver* 0030	White* RAL 1013
Bronze 0040	Black* RAL 9005
White RAL 9010	Brown RAL 8014

Please, check the above colours on a RAL palette.

\*Subject to extended lead time and minimum order quantities.

Above listed data may change without notice.

# system41

SUGGESTIONS

## VERTICAL SYSTEM - SPRING LOADED (INSET FIX)

### Maximum sizes recommended:

We suggest not to exceed the following sizes:

- 180 cm width x 170 cm height for cassettes in the System 41 series
- 180 cm width x 230 cm height for cassettes in the System 41 series

### Standard mesh and alternative screens:

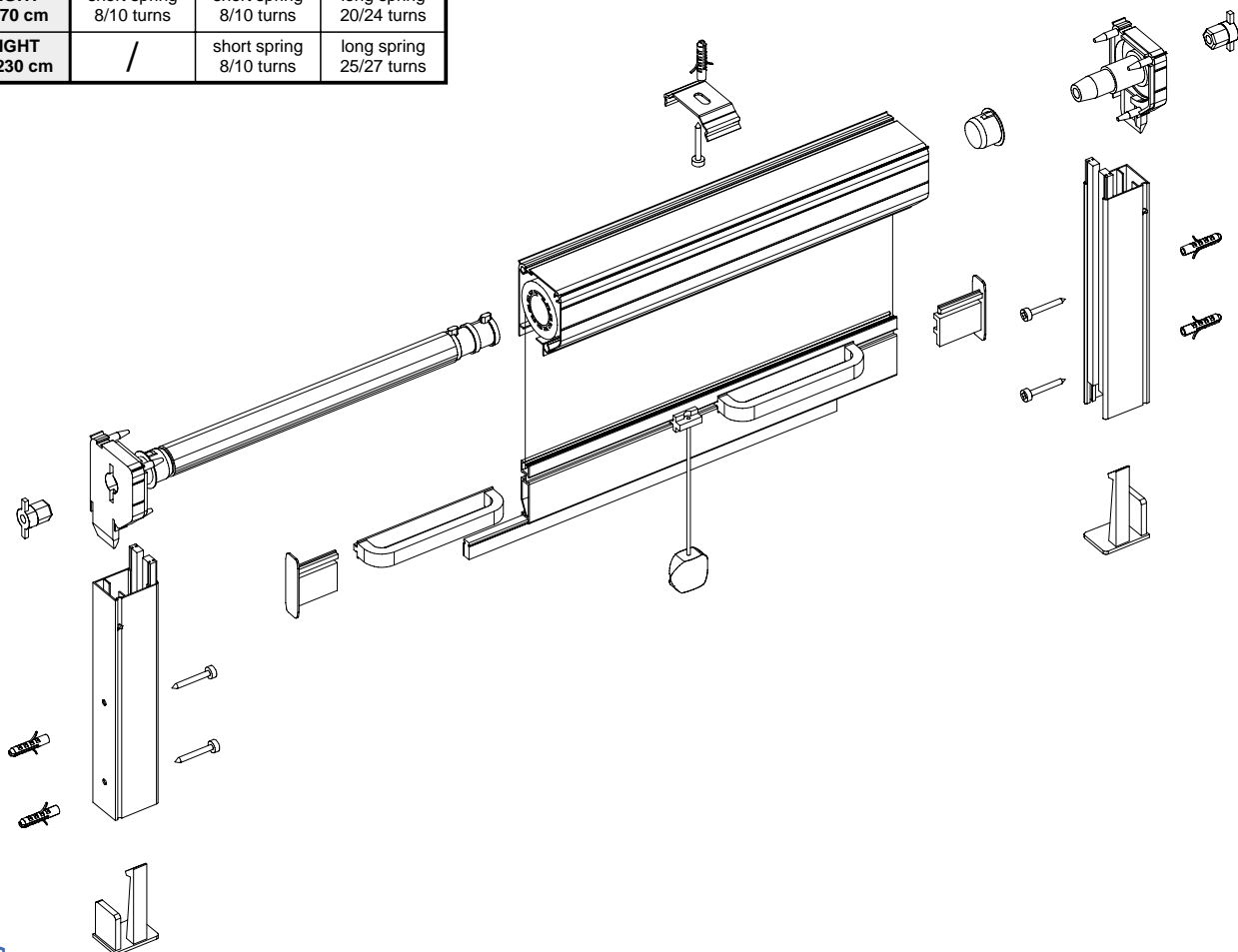
System 41 is normally supplied with fibreglass mesh.

However there are some optional black-outs and shade screens available.

We suggest to use the short spring for openings not wider than 70 cm.

### Spring loading (clockwise)

	WIDTH 50/60 cm	WIDTH 60/80 cm	WIDTH 80/180 cm
HEIGHT 40/170 cm	short spring 8/10 turns	short spring 8/10 turns	long spring 20/24 turns
HEIGHT 170/230 cm	/	short spring 8/10 turns	long spring 25/27 turns



We suggest to use the fixing bracket in case of inset mounting in order to give more stability to the cassette.

S.T. Syst41 VertMol Luce ING V.1.0 0802 • PDF

## CUTTING SPECIFICATIONS

### cassette

cassette with tube,  
mesh and sliding bar: = opening width **minus** 19 mm **1 Pc.**

### guides

side guides 30x22 mm: = opening height **minus** 54 mm **2 Pcs.**

# system41

SUGGESTIONS

## VERTICAL SYSTEM - SPRING LOADED (FRONT FIX)

### Maximum sizes recommended:

We suggest not to exceed the following sizes:

- 170 cm width x 165 cm height for cassettes in the System 41 series
- 170 cm width x 230 cm height for cassettes in the System 41 series

### Standard mesh and alternative screens:

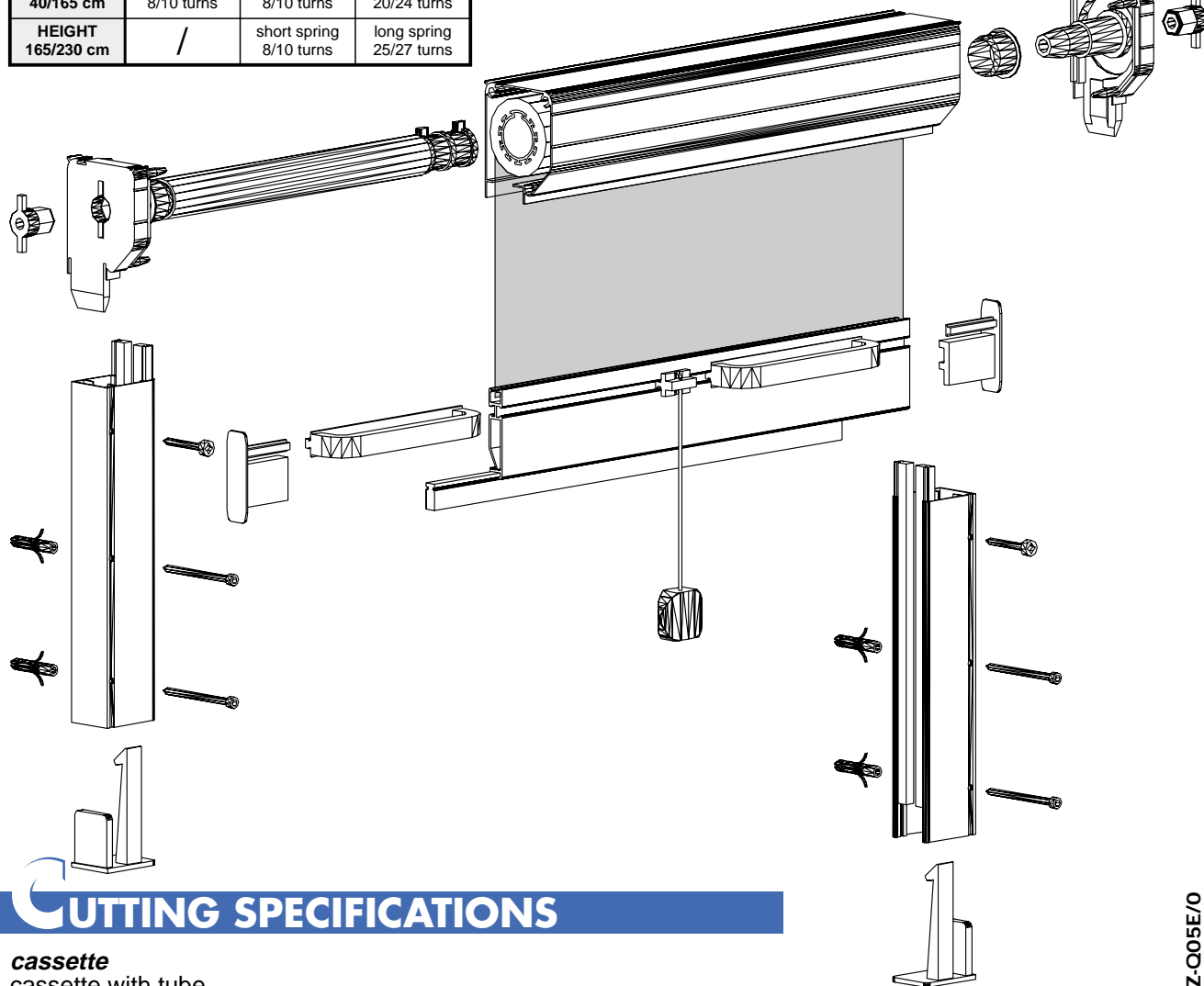
System 41 is normally supplied with fibreglass mesh.

However there are some optional black-outs and shade screens available.

We suggest to use the short spring for openings not wider than 70 cm.

### Spring loading (clockwise)

	WIDTH 50/60 cm	WIDTH 60/80 cm	WIDTH 80/170 cm
HEIGHT 40/165 cm	short spring 8/10 turns	short spring 8/10 turns	long spring 20/24 turns
HEIGHT 165/230 cm	/	short spring 8/10 turns	long spring 25/27 turns



In the drawing above is shown how to fix the end cap into the guide by using the little screw.

S.T. Syst41 VertMoll Front ING V.1.0 0802 • PDF

## CUTTING SPECIFICATIONS

### cassette

cassette with tube,  
mesh and sliding bar: = opening width **plus 42 mm**

1 Pc.

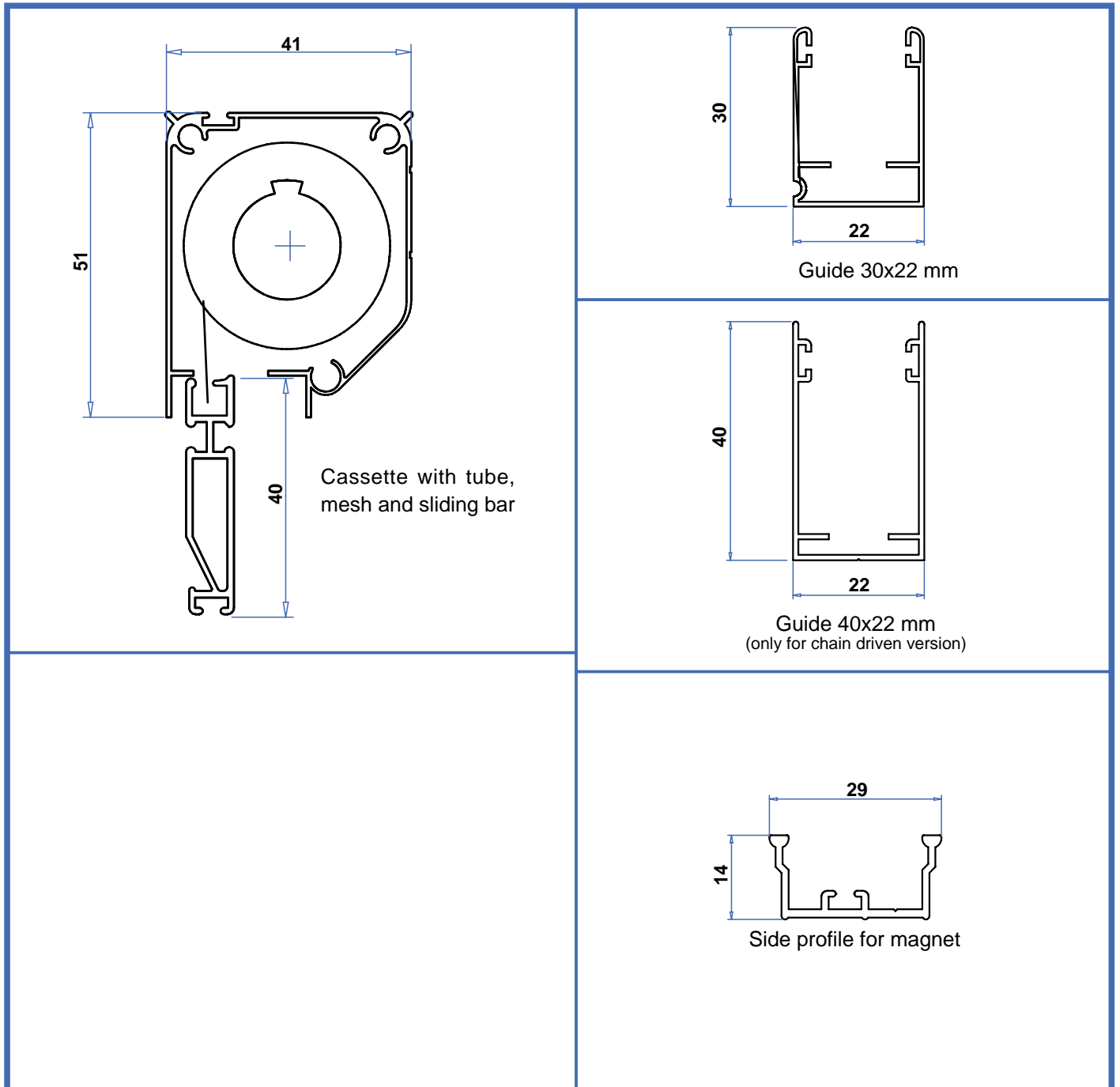
### guides

side guides 30x22 mm: = opening height **plus 46 mm**

2 Pcs.

# system41

## P PROFILES AND SIZES



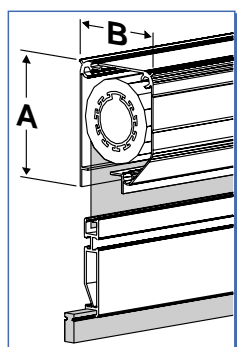
For U.S.A. see conversion table mm-inches

# system41

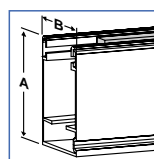
**USER-FRIENDLY  
AND FUNCTIONAL**

## 41 mm RETRACTABLE INSECT SCREEN **VERTICAL (WINDOW)**

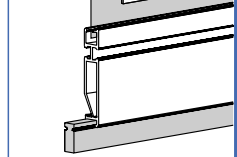
The accessory kit includes all necessary components to assemble a vertical (pull-down) system 41 roller insect screen either as inset mounted or front mounted system.



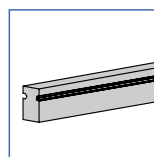
**code 01-00310-**  
Case with tube, mesh in height 175 cm and sliding bar with pile



**code 01-02050-**  
Guide with pile  
A 30 mm. B 22 mm. (6 lin.mtrs.)

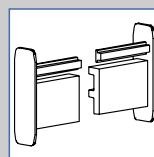


**code 01-00320-**  
Case with tube, mesh in height 240 cm and sliding bar with pile  
A 51 mm. B 41 mm. (6 lin.mtrs.)

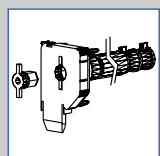


**code 00-02010-**  
Pile for case  
only for inset mounting (1000 lin.mtrs.)

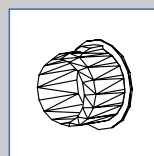
Accessory kit\* for inset and front mounting  
**code 01-03720-** short spring  
**code 01-03730-** long spring



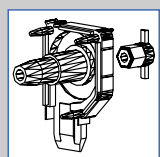
Sliding bar ends  
(1 pc. L + 1 pc. R)



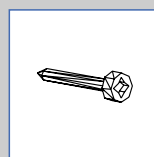
End cap with spring + cap  
(1 pc.)



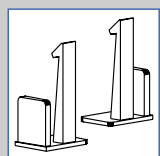
Bush  
(1 pc.)



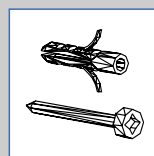
Single end cap + cap  
(1 pc.)



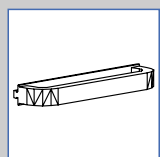
Little screw  
(2 pcs.)



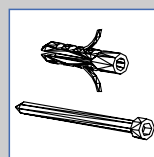
Internal locks  
(1 pc. L + 1 pc. R)



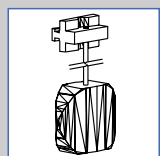
Screws and dowels  
for inset mounting (4 pcs.)



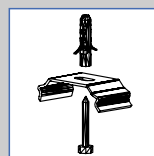
Handle  
(2 pcs.)



Screws and dowels  
for front mounting (4 pcs.)



Acorn  
(1 pc.)



Fixing bracket  
with screw and dowel (1 pc.)

Above listed data may change without notice.

\*Kit available both in black and in white