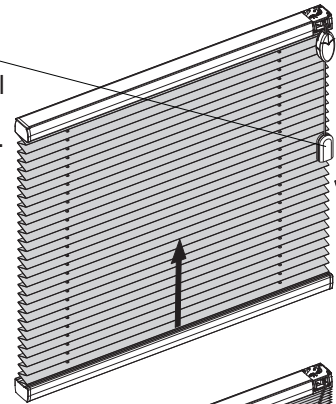
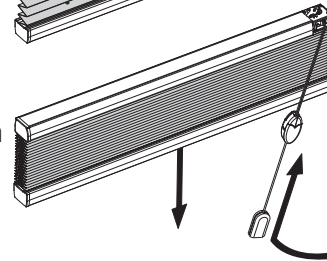


Operation Model P1700 - P1725

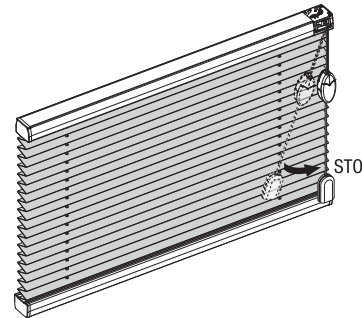
To open the hanging:
Pull the cord on the tassel downwards. When the tassel is released, the hanging stays in the desired position.



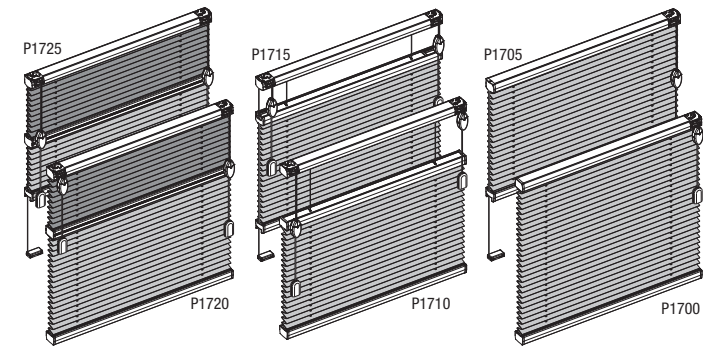
To close the hanging:
Pull the tassel to the middle of the hanging, guide it at an angle to the cord lock. The hanging closes.



Stop:
Bring tassel into vertical position.



Model P1700, P1705, P1710, P1715, P1720, P1725



Dear Customer,
this dimensionally accurate blind was produced especially according to your requirements. High quality materials and a design that is perfect in function and elegance guarantee a long service lifetime and thus ensure great pleasure in the purchased product.
Your blind Manufacturer

! Please read this instructions carefully before fitting the blind. !
Blinds must be fitted by skilled personnel. Wrong installation may result in accidents. Alterations of the blind must be approved by the blind manufacturer.
No screws for fixing are enclosed. Always use appropriate screws and plugs suited for the wall or ceiling material where the blind is fitted!

Care

Thanks to a special manufacturing process, our fabric qualities are furnished with an antistatic finish and are therefore resistant to dust and dirt. Occasional brushing with a soft brush or a feather duster is usually sufficient.
When cleaning glass and the window frame, make sure that no water or caustic cleaning agents come into contact with the pleated blind fabric.
No guarantee can be offered for damage to fabrics that is attributable to condensate, cleaning agents or soiling by insects.

! WARNING !

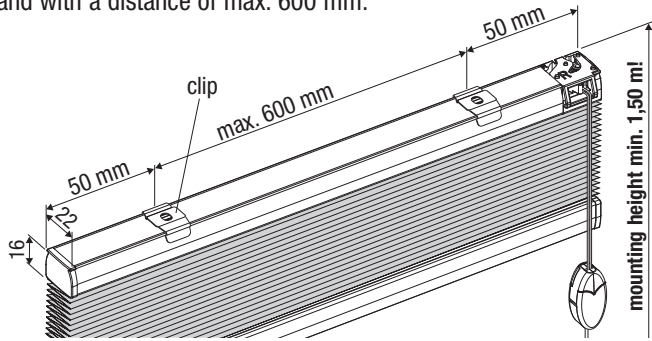
- Young children can strangle in the loop of pull cords, tapes and cords that operate window coverings. They can also wrap cords around their necks.
- To avoid strangulation and entanglement, keep cords out of reach of young children.
- Move beds, cots and furniture away from window covering cords.
- Do not tie cords together.
- Make sure cords do not twist and create a loop.
- Install and use the included safety devices according to the installation instructions on these device to reduce possibility of such an accident.



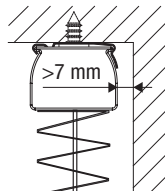
According to EN 13120

Clip mounting

Mount the clips 50 mm respectively from the end of the headrail, and with a distance of max. 600 mm.

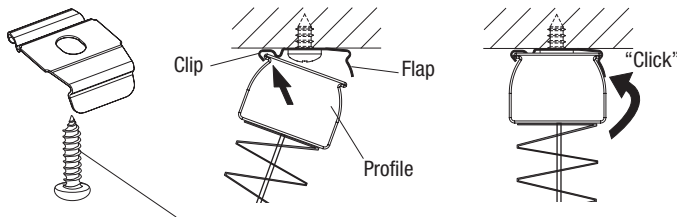


Attention: It is recommended to mount the clip with the flap forward (into the room). The clip can **only** be mounted with the flap toward the window or the pane respectively, in case the distance to the rail is **min. 7 mm**.



Ceiling mounting with Clip

Place the profile in the back edge of the clip and push the front of the profile upwards (till it clicks in).

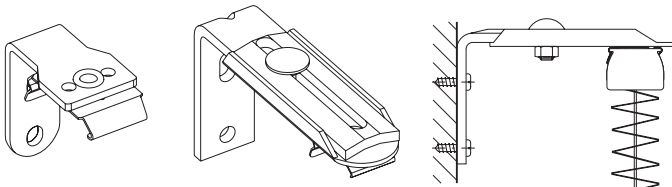


Recommendation: DIN 7981 Ø 3,9 x 16 mm (for wooden and synthetic frames)

When **dismounting**, push the flap of the clip upwards to be able to take the profile out of the clip.

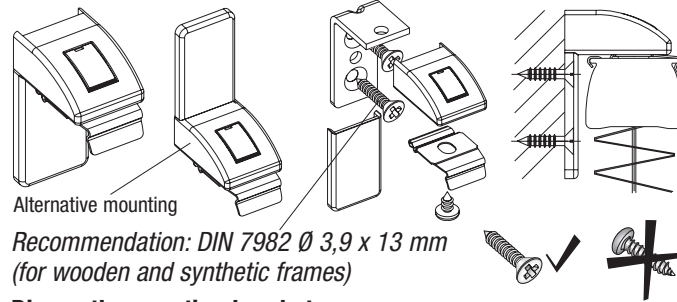
Mounting possibilities

Wall installation with fixed or adjustable wall mount and clip

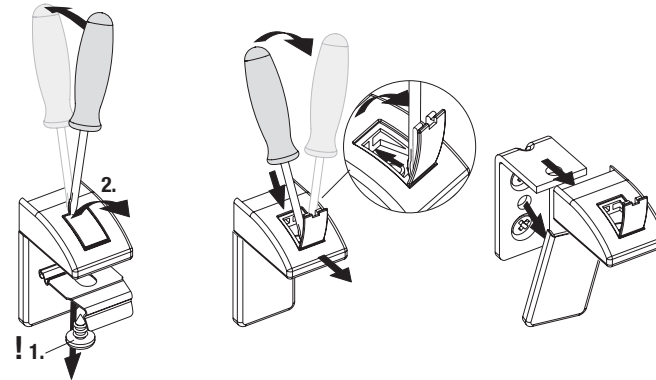


Mounting possibilities

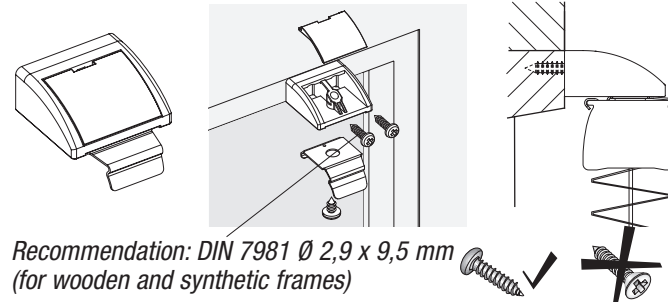
Wall installation with mounting bracket and clip



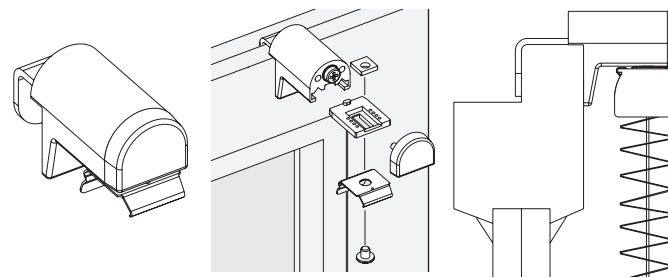
Dismantle mounting bracket



Installing the window moulding with moulding locking strip and clip



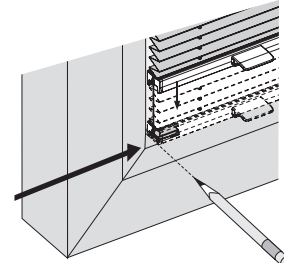
Mounting window frames with holding clamps



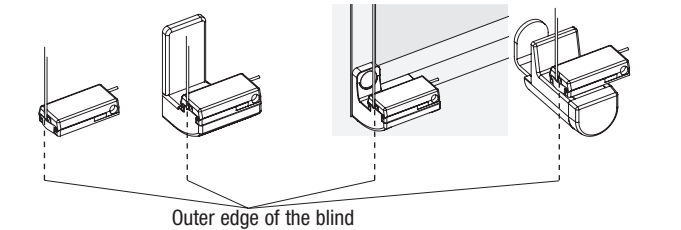
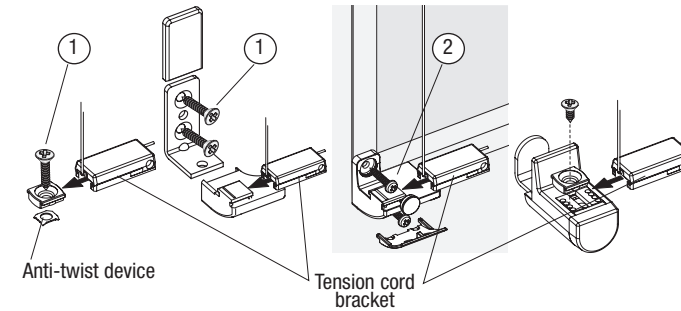
Mounting possibilities

Mounting of tension cord bracket

Let down the blind and mark the position for the clamping shoe (always the outer edge of the blind). Screw on holding brackets, mounting bracket, window moulding or holding clamps. Pull out and extend the clamping shoe.



Holding brackets Mounting bracket Window moulding Holding clamps

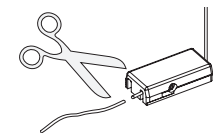


① **Recommendation:** DIN 7982 Ø 3,9 x 13 mm (for wooden and synthetic frames)

② **Recommendation:** DIN 7981 Ø 2,9 x 9,5 mm (for wooden and synthetic frames)

Max. length of the screw = window moulding depth!

After having checked that the pleated blind functions as prescribed, the excess cord ends can be cut off.



For fixing plates use mounting template (red) see separate sheet.

