



PERFECT FIT BLIND  
PLEATED, CELLULAR & VENETIAN

Fitting Instructions

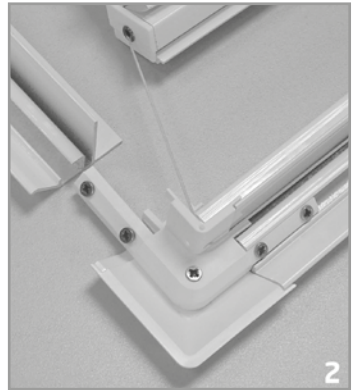
## Perfect Fit Pleated, Cellular & Venetian Fitting Instructions

To assemble your Perfect Fit® blind, there is a simple assembly procedure to follow before fitting may commence. Carefully unwrap the blind components. Unravel all guides and control cords. The blind will have the top and bottom parts of the frame attached together with cord.

Lay out the blind face down on a clean, even surface.



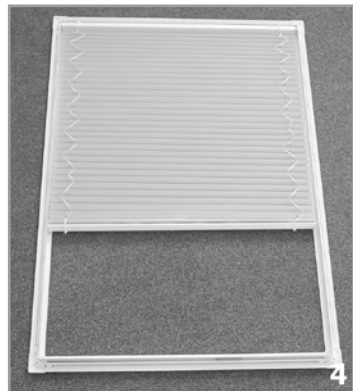
Select the left hand frame component and guide onto the exposed arm of the bottom left corner joint.



Slide the frame along the arm until secure. Repeat the process on the top left hand corner joint.

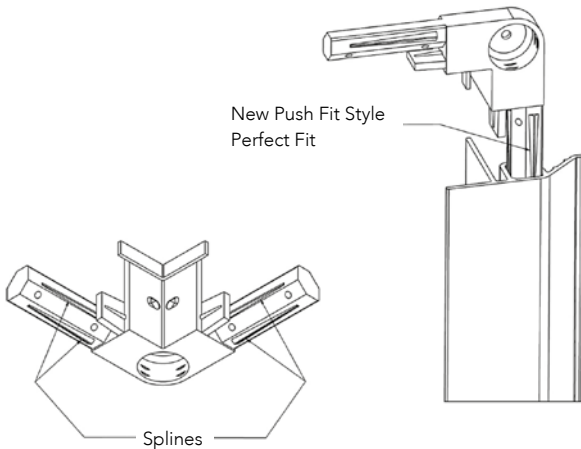
Now follow the same procedure for the right hand side of the frame. Once the frame is complete tighten the securing screws attached to each corner joint.

Your Perfect Fit® blind is now ready to be fitted.



# Perfect Fit Pleated, Cellular & Venetian Fitting Instructions

## FITTING PUSH FIT CORNER JOINTS



\*\*Screw holes have been retained for customers wanting to screw fit.  
Screws must be purchased seperately (Part Code - 4099)

## FITTING THE FRAME

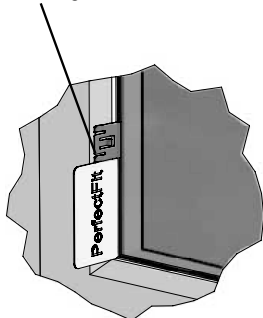
To ensure all brackets are in the correct position for fitting (85mm from beading) use a credit card in the corner of the window to locate the bracket position.

For ease of insertion, use a lubricant in the form of washing up liquid on the base of each bracket.

Line up the bracket with the base or top of the credit card (depending on which corner of the window you are working) and fit the bracket by pushing it between the glass and the rubber seal of the window.

Repeat for all 4 corners of the window, and intermediate brackets (if required) then clean excess lubricant prior to fitting the frame.

Line up bracket  
with edge of card



**NOTE TO INSTALLER:** Please ensure general child safety warning tag is fitted on the product.

**WARNING**

Young children can be strangled by loops in pull cords, chains, tapes and inner cords that operate the product.

To avoid strangulation and entanglement, keep cords out of the reach of young children. Cords may become wrapped around a child's neck. Move beds, cots and furniture away from window covering cords.

Do not tie cords together. Make sure cords do not twist and create a loop.



Visit the Louvolite website to view the links to all of our assembly instructional videos.

