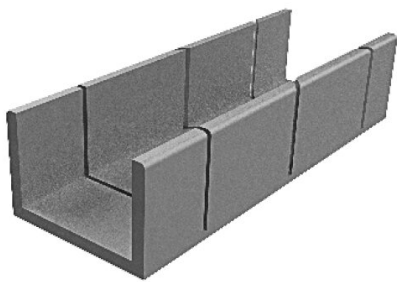
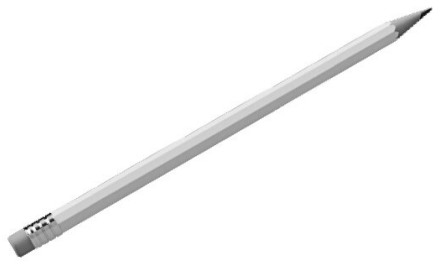
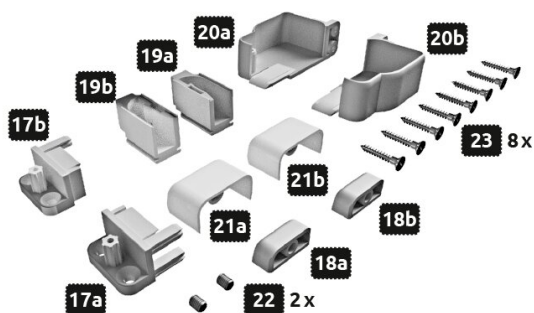
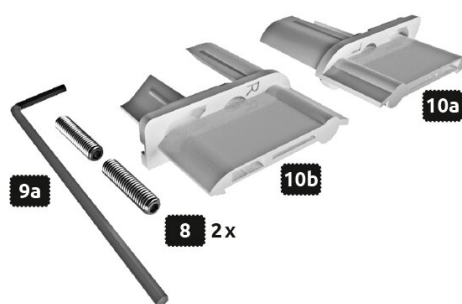
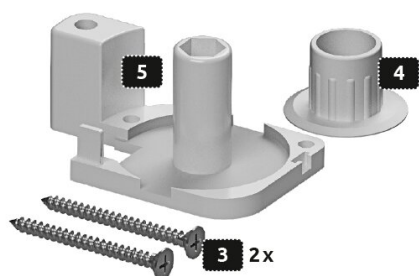
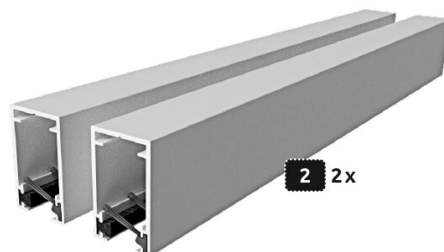
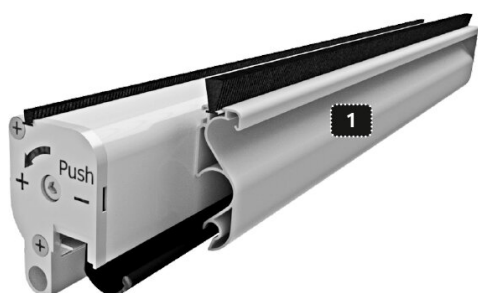


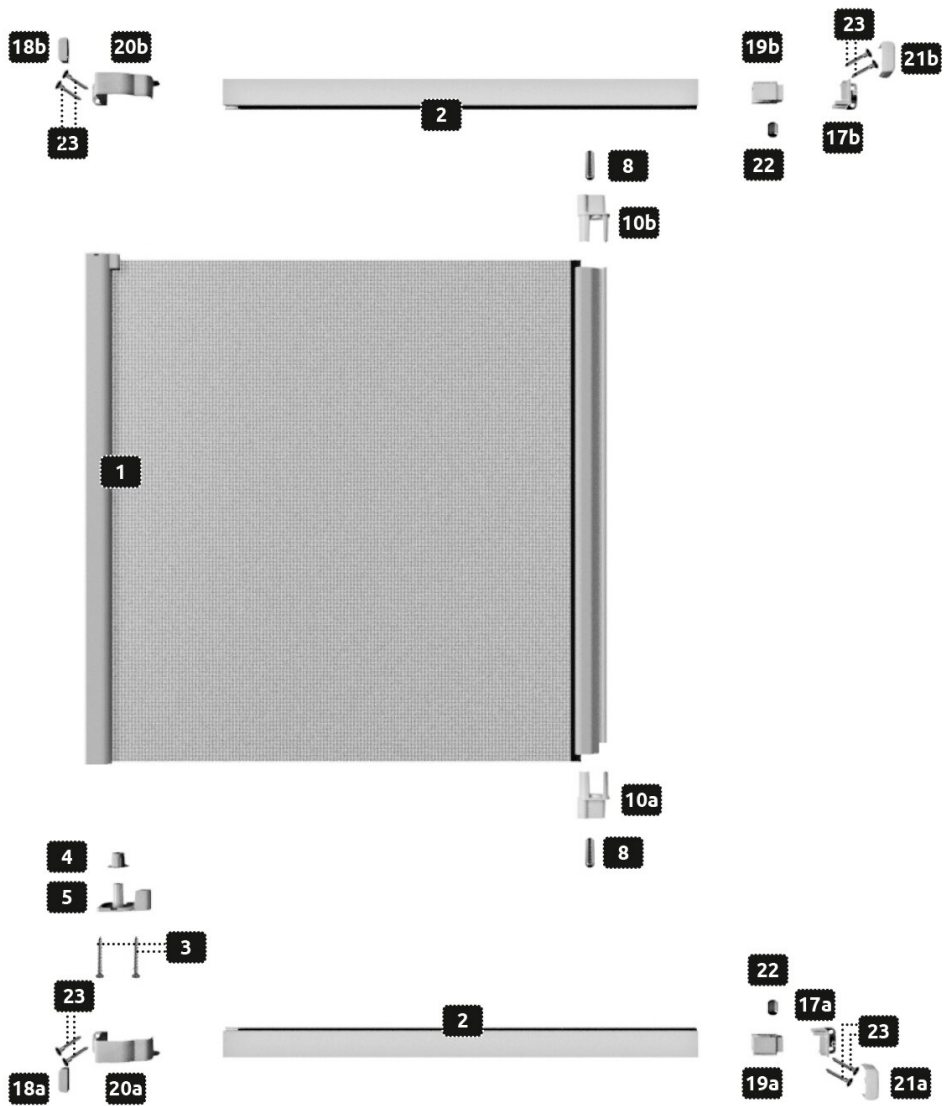
Required Tools



Contents



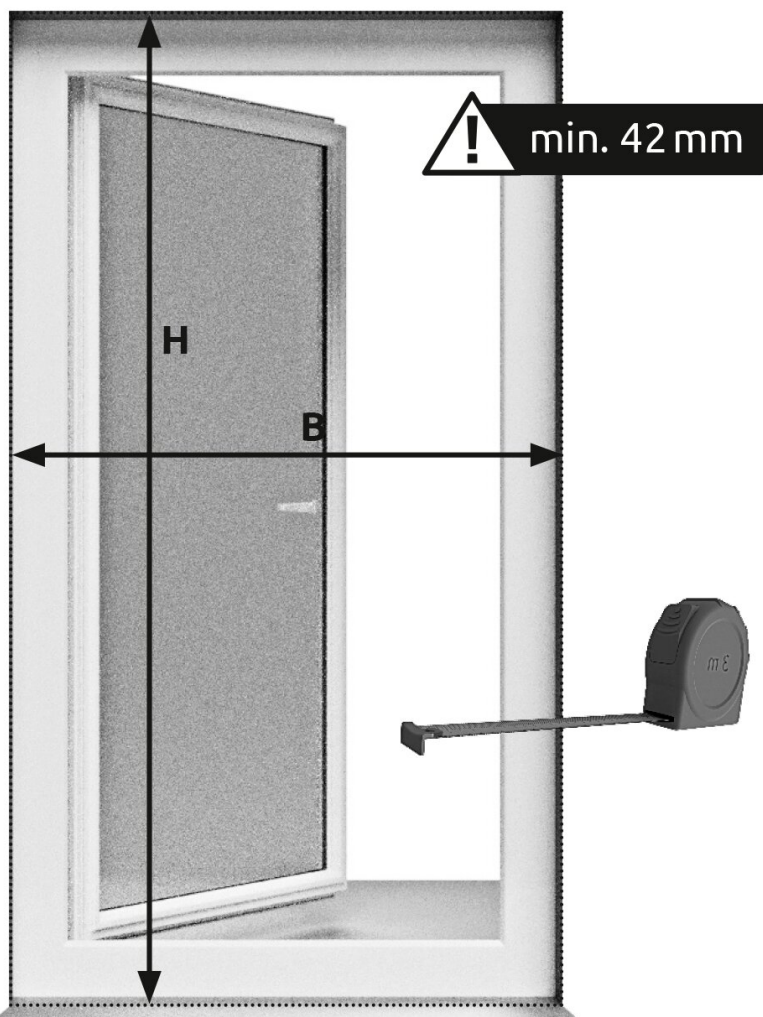
Overview



1

Measure width measurement B of the reveal, by determining the horizontal wall to wall distance.
 Measure height measurement H of the reveal, by determining the vertical wall to wall distance.
 Attention: For this assembly option, you will need a reveal depth of at least 42 mm for the installation of the insect screen blind. Notice: Take care to take the measurements in millimetres. 1 cm = 10 mm.

1



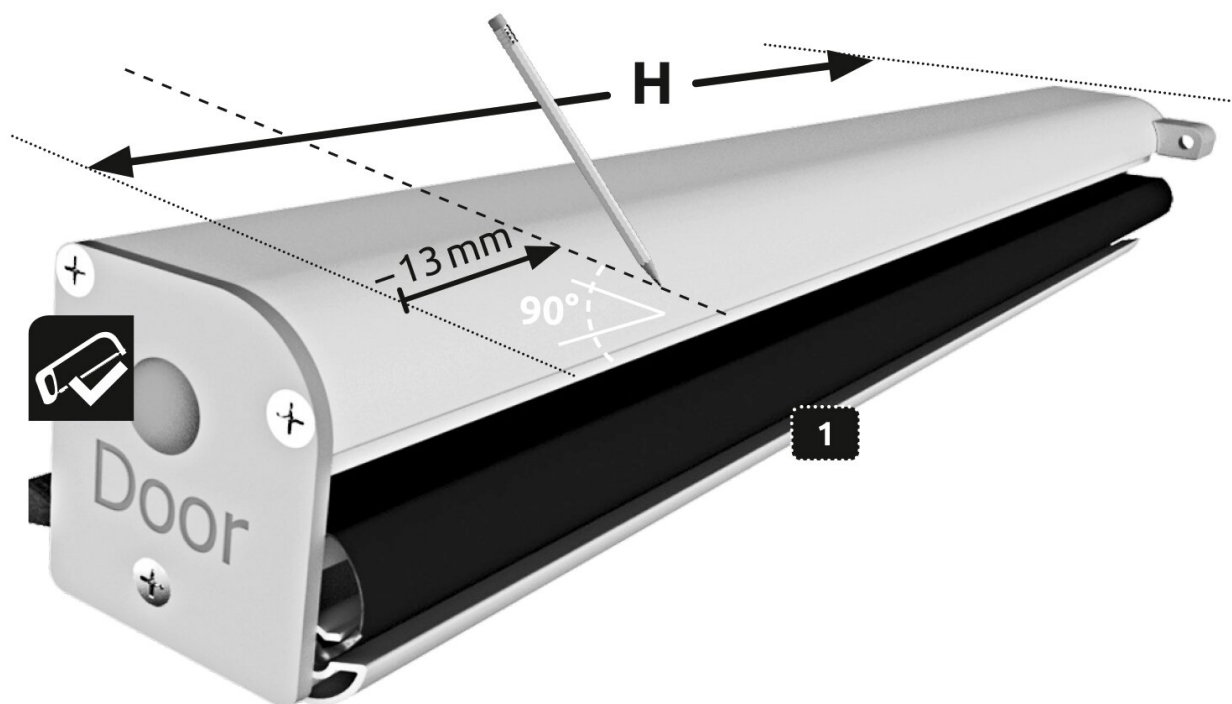
Maß | Measurement | Dimensions **B**:mm

Maß | Measurement | Dimensions **H**:mm

2.1

Mark the roller blind cartridge 1 with measurement H minus 13 mm on the side to be shortened. Shorten the roller blind cartridge 1 and grip rail at the marked point with a metal saw. Take note of the position of the cartridge. Example: Measured height of the reveal $H = 2000 \text{ mm} - 13 \text{ mm} = 1987 \text{ mm}$. Attention: Risk of injury! Use the saw with caution.

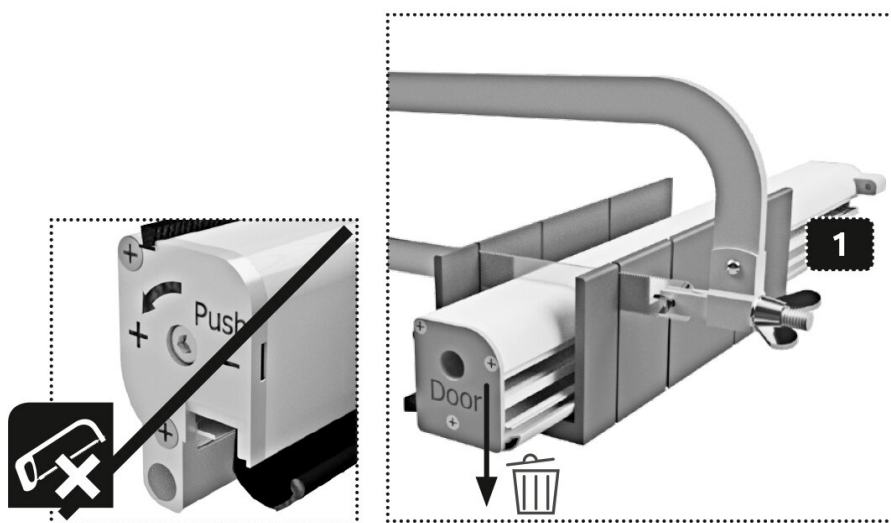
2



2.2

Mark the roller blind cartridge 1 with measurement H minus 13 mm on the side to be shortened. Shorten the roller blind cartridge 1 and grip rail at the marked point with a metal saw. Take note of the position of the cartridge. Example: Measured height of the reveal H = 2000 mm – 13 mm = 1987 mm. Attention: Risk of injury! Use the saw with caution.

2



Maß | Measurement | Dimensions H:..... mm

- 13 mm

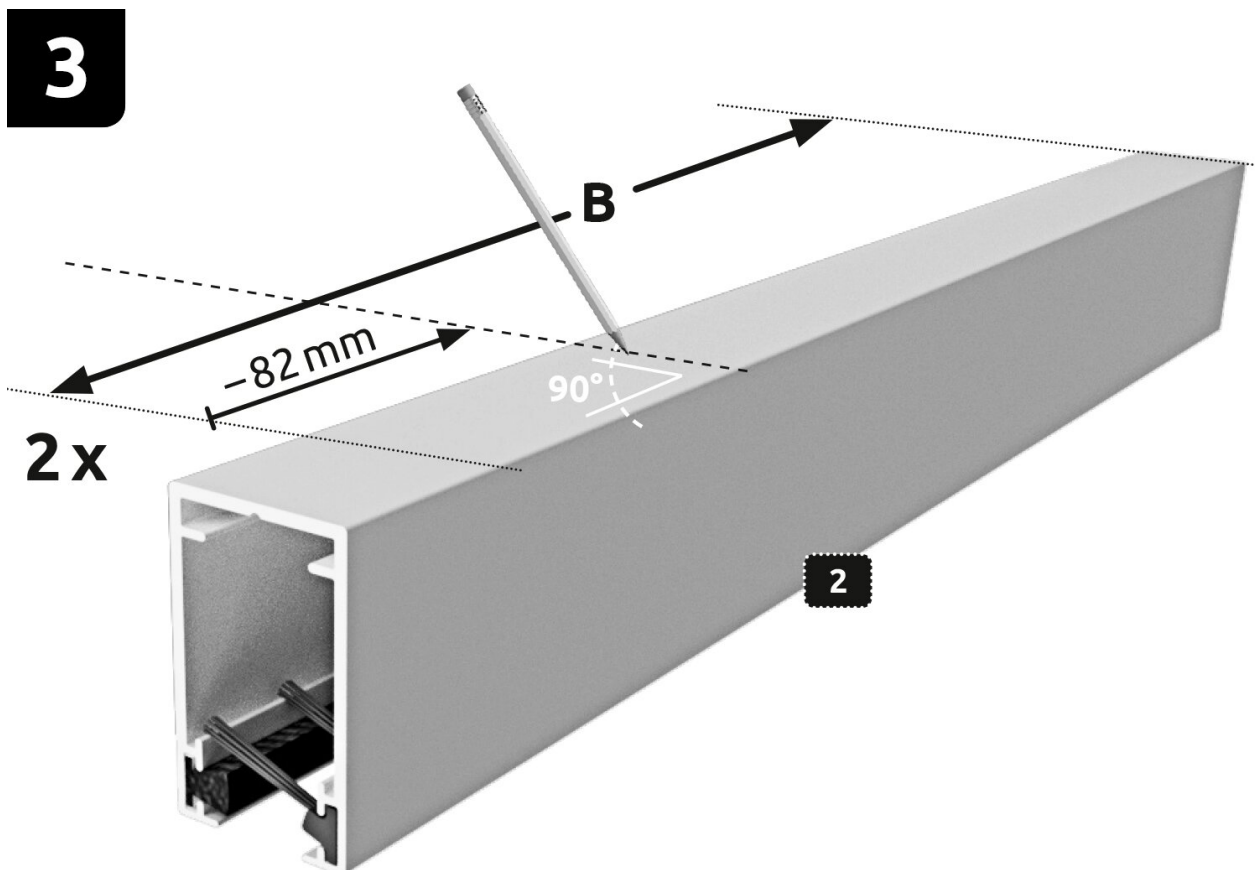
= mm



Schnittmaß | Trim size | Dimensions de coupe

3

Mark the guide rail 2 with measurement B minus 82 mm. Shorten both guide rails 2 at the marked point with a metal saw. Example: Measured width of the reveal B = 1400 mm - 82 mm = 1318 mm. Attention: Risk of injury! Use the saw with caution.



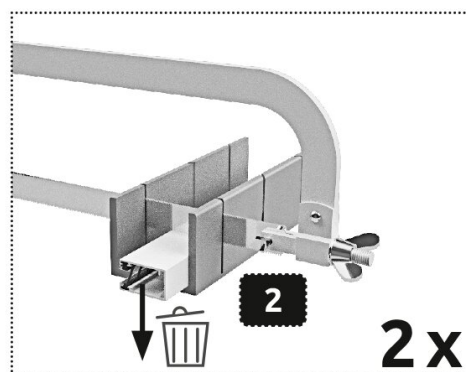
Maß | Measurement | Dimensions B: mm

— 82 mm

= mm

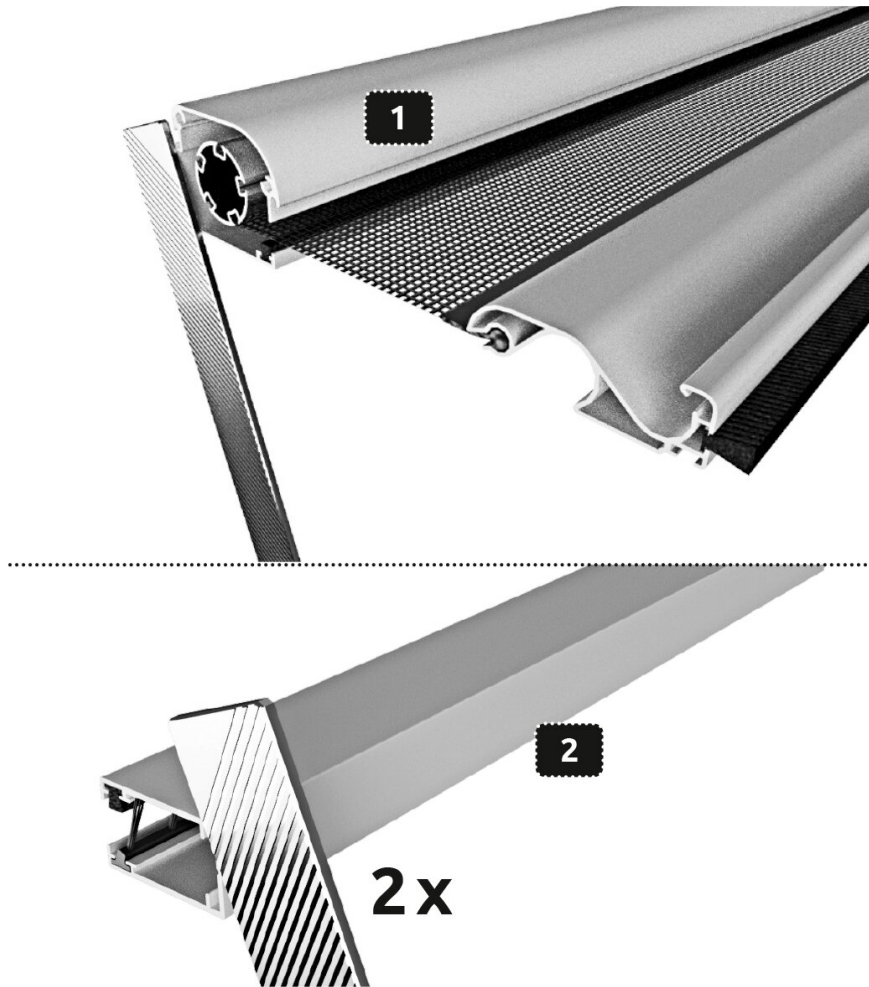


Schnittmaß | Trim size | Dimensions de coupe



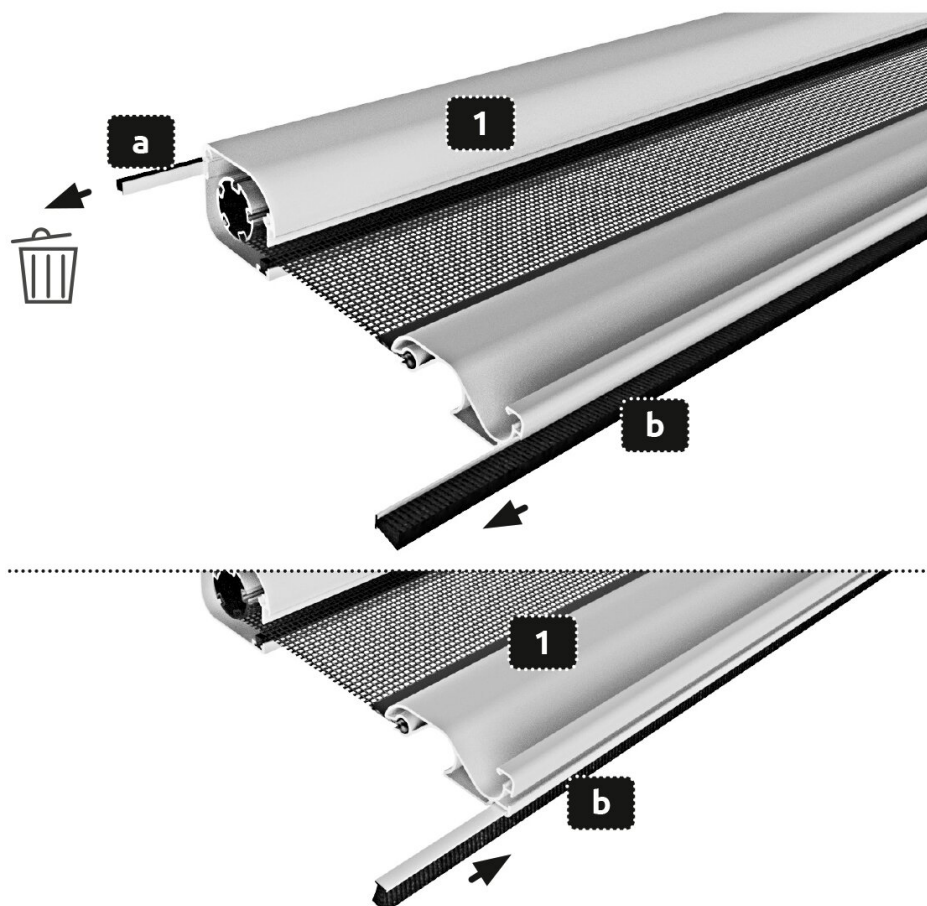
4

Deburr the intersection between with the cartridge 1 and the guide rails 2 with a file.

4

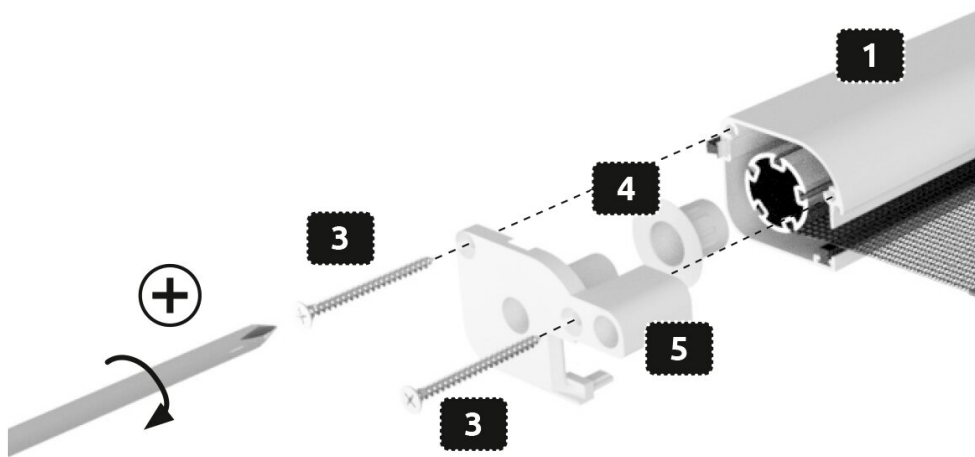
5

Remove the sealing brush a from the cartridge 1. Pull the sealing brush b from the guide rail and insert it into the downward-facing open groove for later sealing towards the door frame.

5

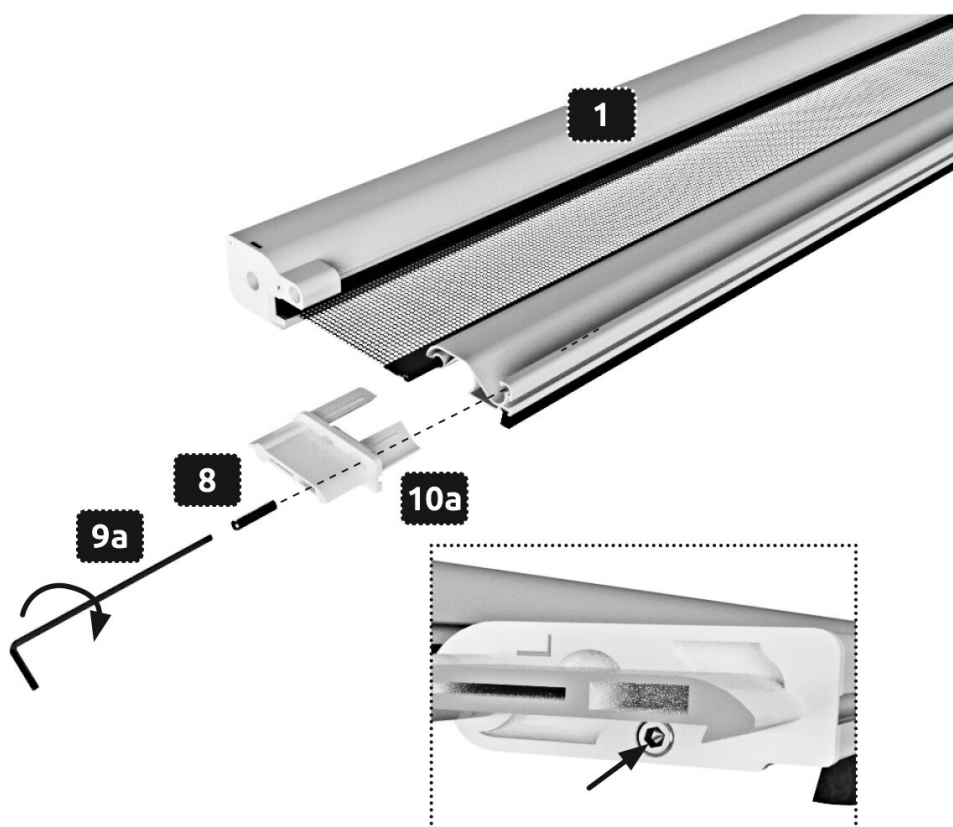
6

Attach the shaft bearing 4 to the shaft of the roller blind cartridge 1. Then, attach the end cap 5 to the roller blind cartridge 1 and screw them together with both screws 3.

6

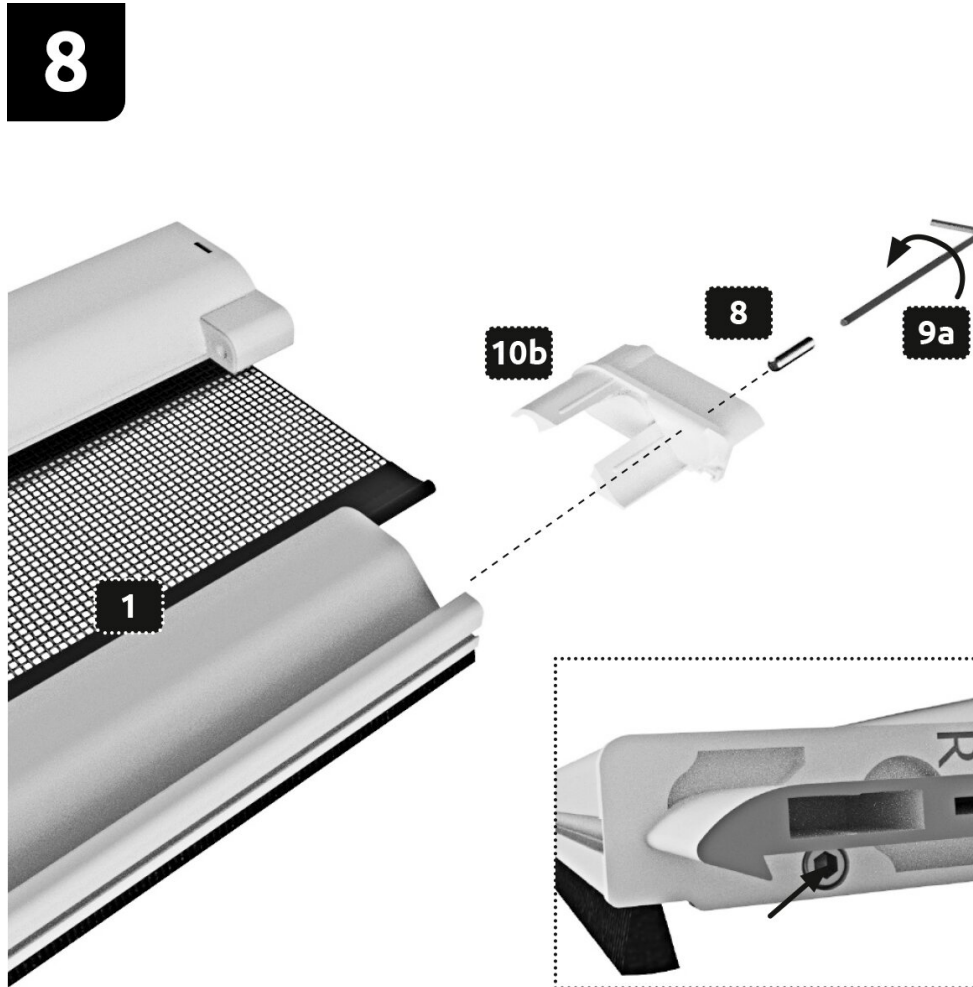
7

Attach the left grip lock 10a to the side of the guide rail of the roller blind cartridge 1. Attach it by screwing in the threaded pin 8 via the hexagonal socket 9a.

7

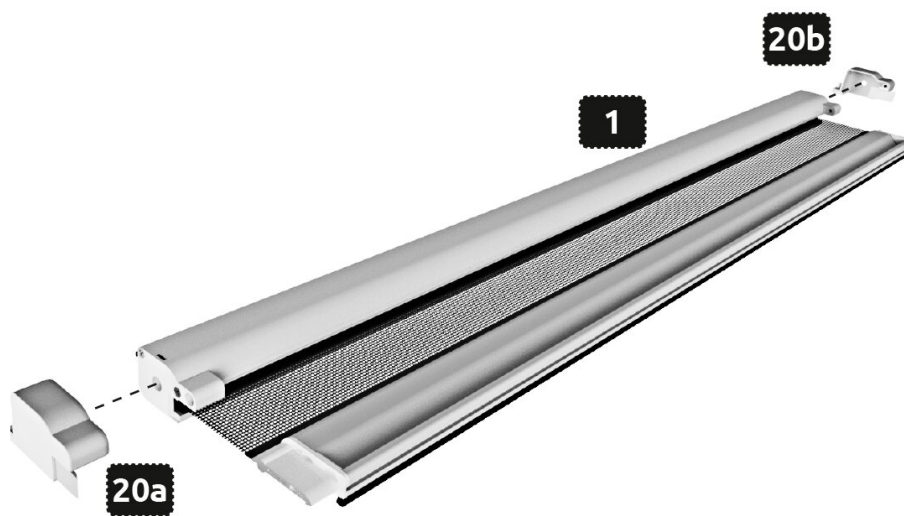
8

Attach the right grip lock 10b to the side of the guide rail of the roller blind cartridge 1. Attach it by screwing in the threaded pin 8 via the hexagonal socket 9a.



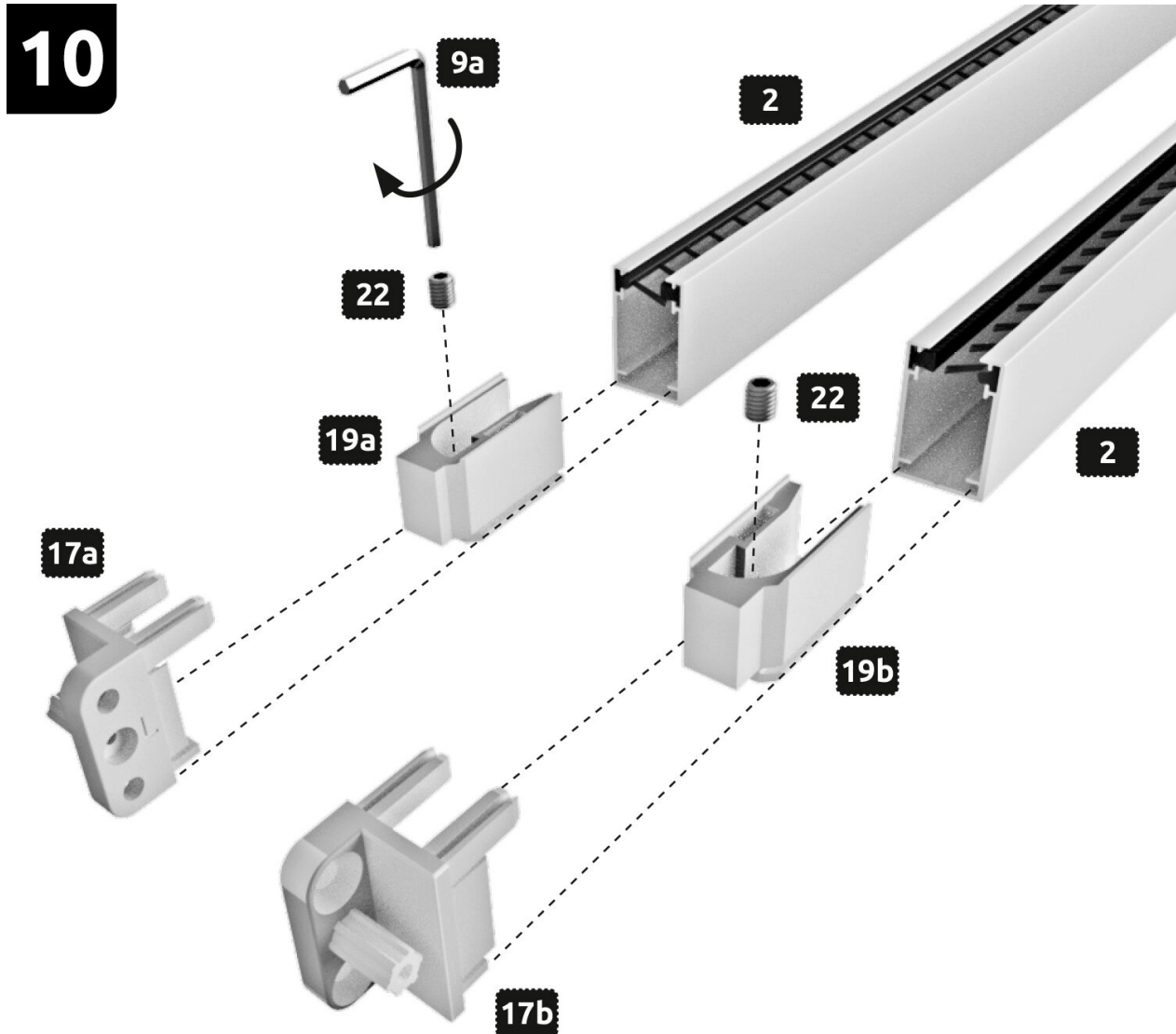
9

Attach the end caps 20a and 20b to the cassette 1.

9

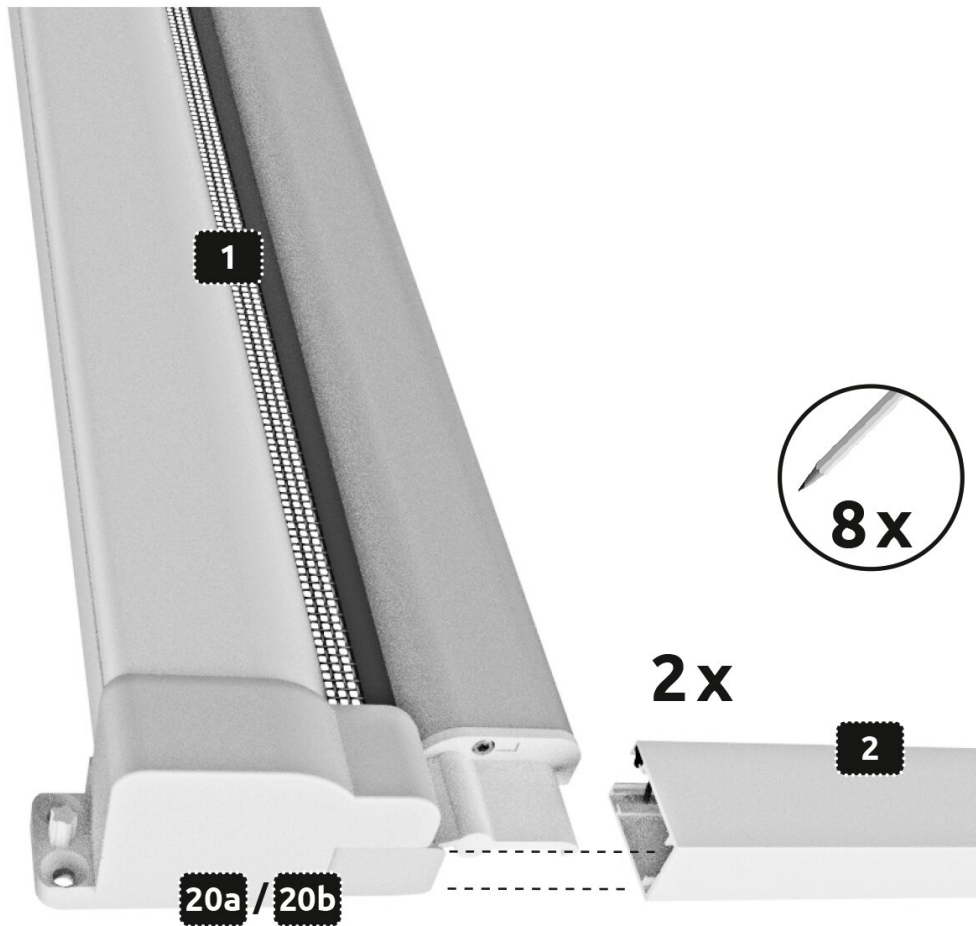
10

Attach the threaded pins 22 via the hexagonal socket 9a to the dedicated openings in the locking elements 19a und 19b . Attach the locking elements 19a and 19b to the guide rails 2. Insert the attaching elements 17a and 17b to the guide rails 2. Take note of the position of the individual parts.



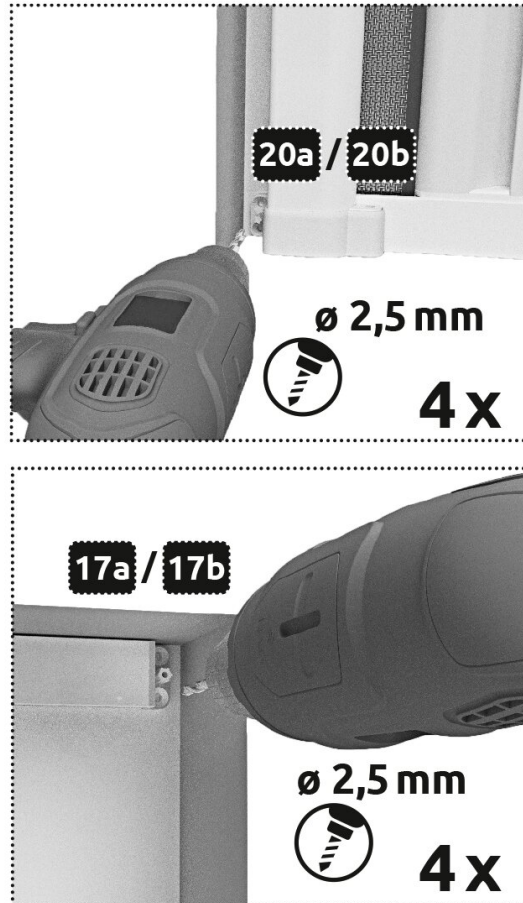
11.1

Attach the guide rails 2 via the end caps 20a and 20b to the roller blind cassette 1. Move the roller blind towards the door frame and make a mark of the eight holes through the recesses on the attaching elements 20a, 20b and 17a, 17b. Drill into the door frame with a \varnothing 2,5 mm drill.

11

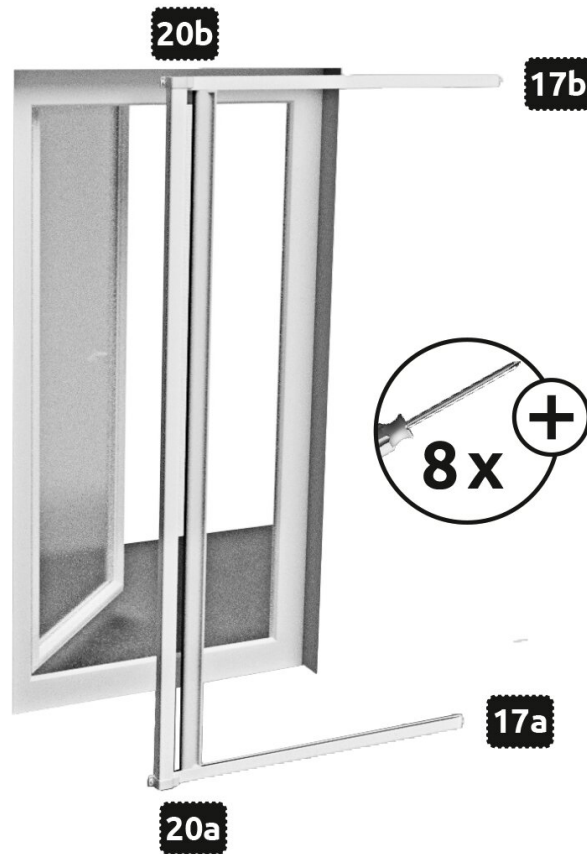
11.2

Attach the guide rails 2 via the end caps 20a and 20b to the roller blind cassette 1. Move the roller blind towards the door frame and make a mark of the eight holes through the recesses on the attaching elements 20a, 20b and 17a, 17b. Drill into the door frame with a $\varnothing 2,5$ mm drill.

11

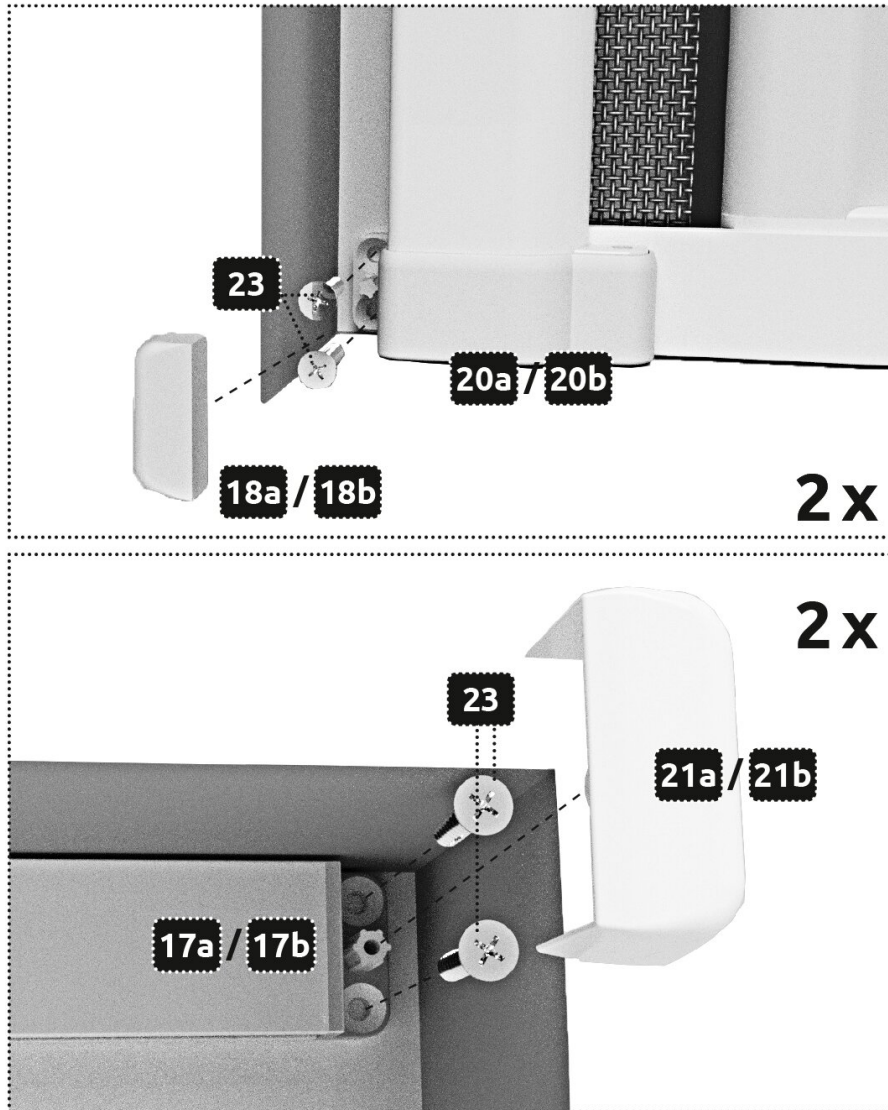
12.1

Screw the roller blind above the attachment elements 20a, 20b and 17a, 17b via screws 23. Attach the screw covers 18a, 18b and 21a, 21b to the the roller blind.

12

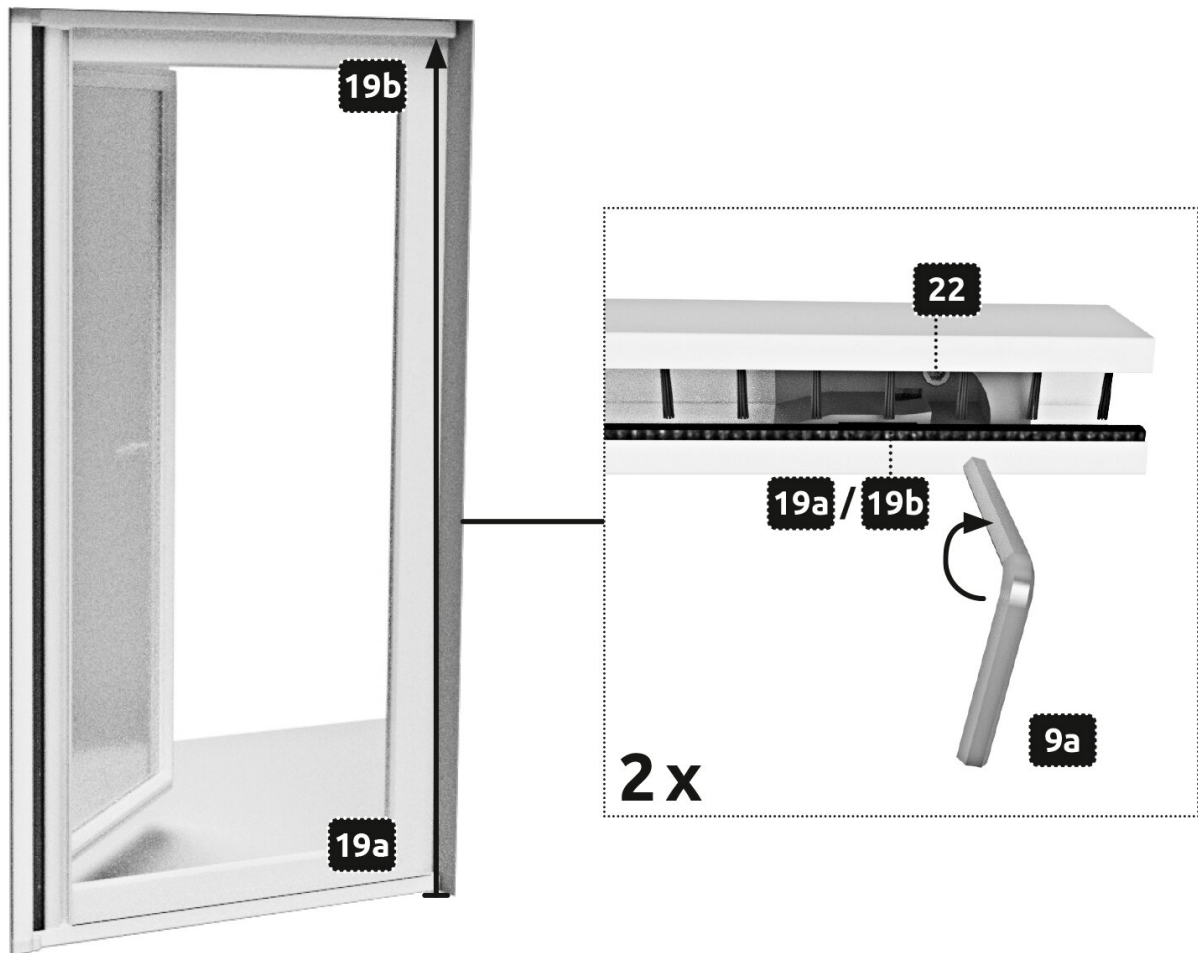
12.2

Screw the roller blind above the attachment elements 20a, 20b and 17a, 17b via screws 23. Attach the screw covers 18a, 18b and 21a, 21b to the the roller blind.

12

13

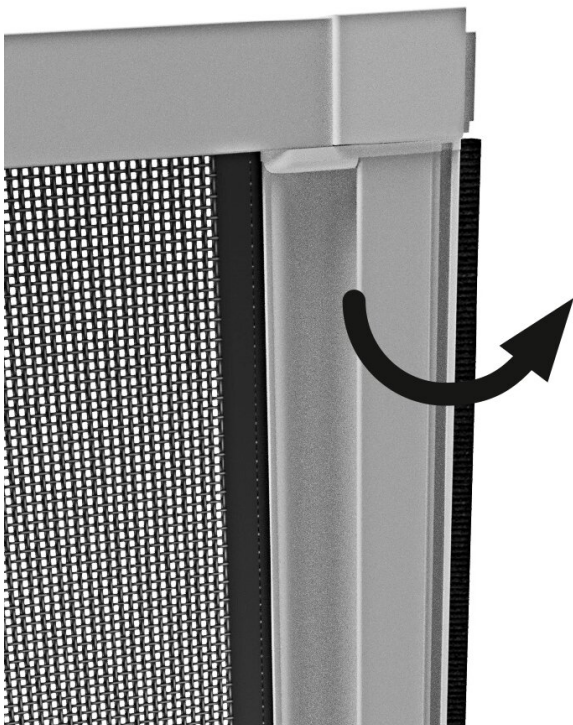
Adjust the locking elements 19a and 19b by tightening the threaded pins 22 via the hexagonal socket 9a to the desired height, so that the guide rail is easily accessible.

13

Close/Open

To close the roller blind, pull the guide rail to the lock side. This snaps into the side locking elements.
To open, press the guide rails out, so they unlock.

CLOSE



OPEN



Optional

The roller blind is preloaded. You can adjust the tension on the blind, if necessary. Take note of the max. number of rotations, which is 40 rotations.

OPTIONAL

