

41mm Cassette Roller Insect Screen

DOOR SPRING-LOADED SYSTEMS, incorporating THE BRAKE

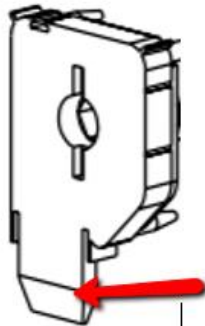
INSTALLATION & OPERATING GUIDANCE

Note: We would recommend that this product is installed by 2 people. The product is installed by assembling the roller fly screen into a 4-sided frame and offering the screen pre-built up to the fixing surface.

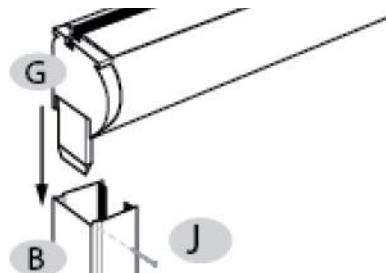
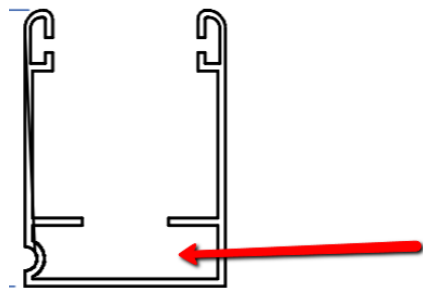
Once the screen is offered up to the fixing surface, fixings can be made to secure it in position.

In order to assemble the screen, you will need to clear sufficient space on your floor. Protect the screen and your floor, by laying down a dust cloth or other similar protection.

STEP 1: Take the left-hand cassette and lay it on the floor with the handles facing upwards. At each end of the cassette you will see nylon cassette end sets. Protruding from the cassette end sets are tongues (see below).



STEP 2: Take the top guide-rail and insert the tongue of the upper cassette end-set into the groove in the bottom of the U of the guide rail (below, left). Push the guide rail into the cassette end set (below right), so that the tongue of the end set is inserted all of the way into the side channel, and so that the guide rail is pushed into the cassette.

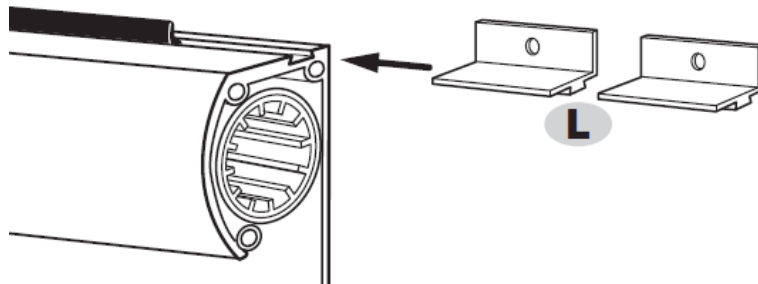


STEP 3: Repeat the above process for the bottom guide rail.

STEP 4: Now take the right-hand cassette and push the cassette end set tongues into the other ends of the top and bottom guide rails. You should now have a 4-sided frame.

Note: At this point you should be able to test whether the sliding bar of each cassette can run freely in the guide rails.

STEP 5: (Face Fix Only): Slide the angle brackets provided (L – below) onto the end of the cassette and slide them along so that they are easily spaced. You will usually receive 2 brackets per cassette.

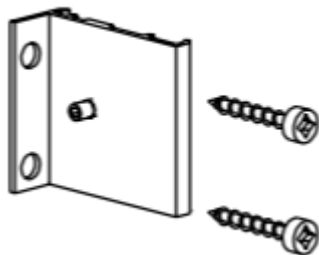


Note: We do not provide recess fixing brackets for the cassettes of double screens. In order for recess fix brackets to be used, we would need to supply top and bottom guide rails in 2 parts in order to maneuver the screen into the brackets. To avoid splitting the guide rails, the screen is fixed in place using screws in the guide rails only.

STEP 6: Offer the screen, in one piece, upto your fixing surface.

Note: We recommend at this point you have one person to hold the screen in position and another to make the fixings.

STEP 7 (Face Fix Only): Drill, plug and then screw the brackets in place. There should be 2 brackets per cassette.

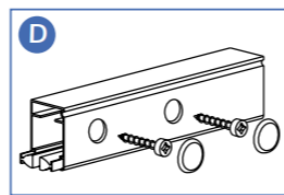




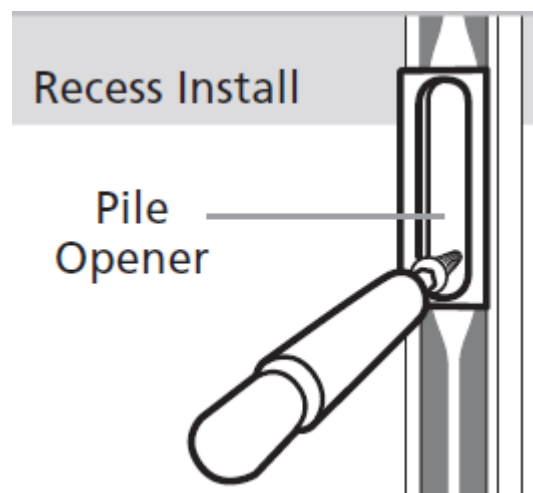
newblinds.co.uk

STEP 8: Drill, plug and screw the top and bottom guide rails into position.

- **For face fix:** In order to face fix the guide rails, please remove the cover caps on the front face of the guide rails. Beneath the cover caps, you will find a 10mm hole in the front face, which will allow your screw-driver access. The rear of the guide rails will be pre-drilled with small screw holes. Once you have fixed the guide rails into position, you can replace the cover caps.



- **For recess fix:** Guide rails will come pre-drilled for fixing through the bottom of the U of the guide rail. We will supply a black plastic rectangular “pile opener”. Insert this “pile opener” into the guide. This separates the wool pile ensuring it doesn’t get snagged by your drill or screw driver. It also allows your tools clear access into the guide rail to allow fixing.

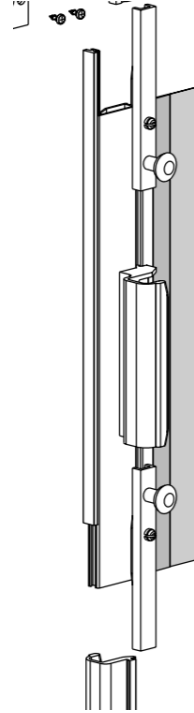


STEP 9: Your screen now should be secured to the fixing surface. Test that it is possible to smoothly operate both sides of the cassette by deploying each cassette using the handle on the sliding bar. Pull the screen from the Cassette to test for un-impeded travel. Release the screen with care, holding the Handle be sure that the integral Brake mechanism is functioning. Try this several times to see that the screen returns gently into the Cassette.

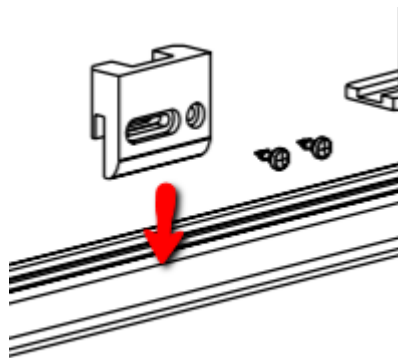


newblinds.co.uk

STEP 10: If you have requested a sliding bolt and keeper, the bolts should be pre-installed to the sliding bar of the cassette (see right).



The keepers will be supplied separately. You need to decide at which point on the width of the screen you wish to fix the cassette. The “keepers” for the sliding bolt system sit on the lip of the front face of the guide rails (below). Position the keepers where you would like the screen to be retained. Then tighten the grub screw on the keeper.



You should now be able to pull one side of the screen across to the position of the keepers and slide the bolts into the keepers to retain one side of the screen in the deployed position.

Note: We would recommend using the sliding bolts when ever you have the screen deployed to hold one side of the screen in position.

STEP 11: You will note that your both sides of the screen have magnetic strip (of opposite polarity) in the opposing edges of the sliding bar. When both screens are fully deployed the two sliding bars should meet and the magnetic strips should connect with sufficient force to keep the screen in the deployed position.

Note: It is important that the screen is installed in such a way that the 4 sides of the frame are 100% square so that a good connection is made between the magnetic strips. If the screen is not square and the strips are not meeting precisely, then we recommend adjusting the position of your screen – ensuring that the screen is square, guide rails are pushed all the way into the cassette tongue, and sliding bar connects across the full length.

MAINTENANCE INSTRUCTIONS

Mesh

If the mesh accidentally comes out of the Guide Rail(s), this will not normally cause damage to the screen as nothing holds it in. Simply tuck the mesh back in as best you can and allow the screen to gently re-wind back into the Cassette. Pull it down and hook it in position once again and it will have re-set itself.

Cleaning

Retractable Insect screens are only deployed when the window or door is open and, therefore, the mesh is enclosed in its Cassette and not be exposed to dirt and grime picked up typically by fixed insect screens. This limits the amount of maintenance needed.

- Cassette and Guides are made from powder-coated aluminium and therefore, rust proof. Depending on the installation, outdoors or indoors, they may require periodic cleaning, wiping using a cloth and a little soapy water.
- Before use first time each season, check that the Guides (especially door bottom guide) are clear of obstruction.
- The mesh is pvc-coated fibreglass and is weather proof and relatively robust. Should it require cleaning, deploy the screen fully and wipe down with a cloth and a little soapy water.

In some environments, such as kitchens and food preparation areas, as with any system, every so often it will be necessary to remove the whole screen in order to remove grease and dirt which may have built up behind the screen and in between the wall and the framework. This opportunity can be used to thoroughly wipe down the mesh by extending it fully and to remove the polypropylene pile strips from the guides to be washed by hand in hot soapy water.

DO's AND DON'T's

Whilst the systems are relatively maintenance-free if used correctly, we cannot account for damage caused when the screen is used incorrectly or is abused.

The following tips of DO's and DON'T's, if adhered to should ensure that your Retractable Insect Screen gives the user a long life of protection:

DO.....familiarise yourself with the installation and operating instructions for ease of use

DO.....ask us if there is something which is not clear or appears not to work.

This is a very simple system to use if operated correctly.

Spring-loaded systems, generally should now all incorporate The Brake, a patented visco-dynamic speed reducer, to prevent damage if the screen is accidentally released, so that it does not snap back into the cassette.....

DO NOTsimply let the mesh recoil uncontrolled back into the Cassette, even when you know the Brake is operating.

DO.....guide the Handle Bar and screen slowly and smoothly back to the Cassette under control.

DO..... Step carefully over the Bottom Guide of a Single or Double Horizontal Door System. Whilst this is a robust system, it is simply not designed to stand up to being kicked or stepped on as this may cause screen traverse to be impaired, by a kinked Guide.

DO.....follow the Maintenance guidance if the screen is employed in an environment where the build-up of grease or dirt could be a problem, or if the screen is externally installed.