



PERFECT FIT ROLLER BLIND (HANDLE)

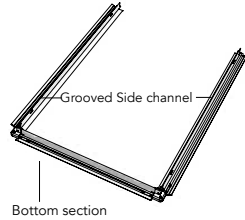
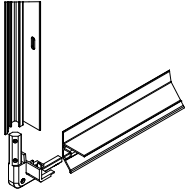
Fitting Instructions

 LOUVOLITE

Perfect Fit Fitting Instructions

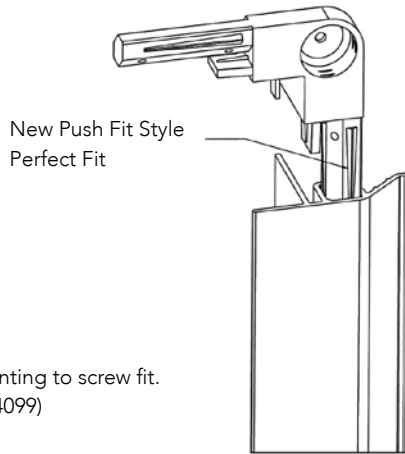
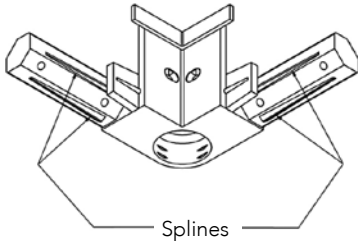
FITTING CORNER JOINTS

Slide the curved aluminium frame into the idle corner joint.
Do this by sliding the joints into your frame section.



Secure the joints by tightening the 4 screws on each joint.

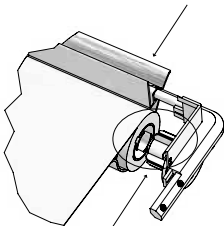
FITTING PUSH FIT CORNER JOINTS



**Screw holes have been retained for customers wanting to screw fit.
Screws must be purchased separately (Part Code - 4099)

FINAL FRAME JOINT

Slide the curved aluminium frame into the idle corner joint.



The simplest way to do this is to slide the leg of the corner joint into the curved section.

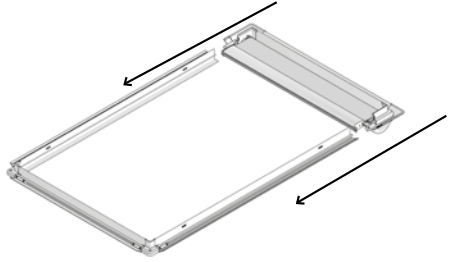
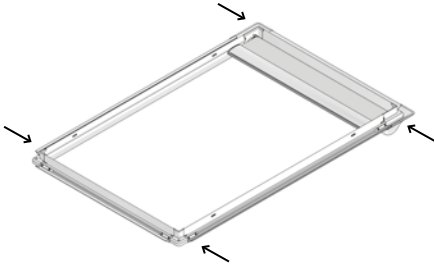
Before the leg is all the way in, ensure that the bush on the corner joint lines up with the top tube.

Perfect Fit Fitting Instructions

FITTING CURVED TOP SECTION

Slide top of curved section into the rest of the frame, ensuring that end caps are located into the side channel.

Fix securely with the two screws on each joint.



SECURING BOTTOM BAR

Fix one side in position at a slight angle then place the opposite side into position. please ensure that the bottom bar sits behind the grooving.



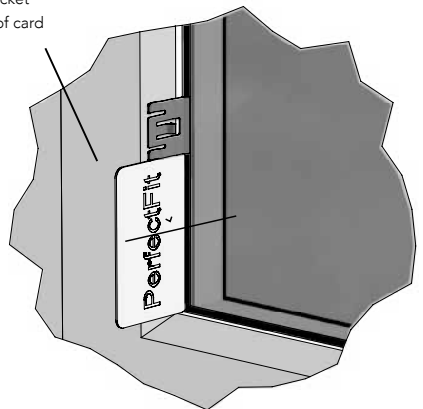
To ensure all brackets are in the correct position for fitting (85mm from beading) use a credit card in the corner of the window to locate the bracket position.

For ease of insertion, use a lubricant in the form of washing up liquid on the base of each bracket.

Line up the bracket with the base or top of the credit card (depending on which corner of the window you are working) and fit the bracket by pushing it between the glass and the rubber seal of the window.

Repeat for all 4 corners of the window, and intermediate brackets (if required) then clean excess lubricant prior to fitting the frame.

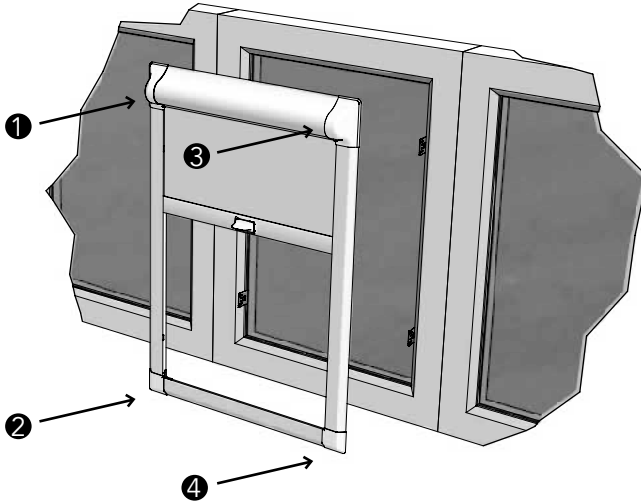
Line up bracket
with edge of card



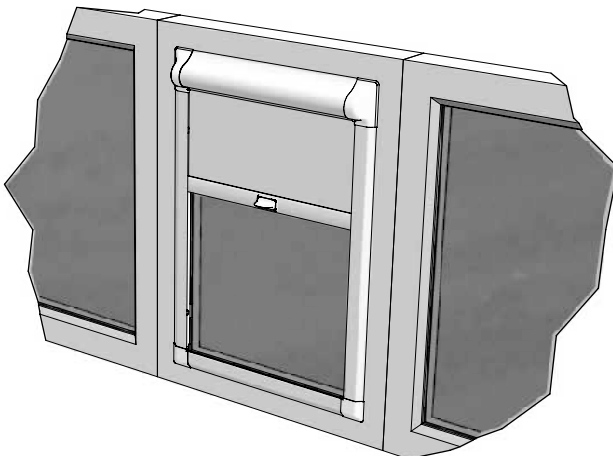
Perfect Fit
Fitting Instructions

FITTING THE FRAME

Line up the holes in the frame with the brackets.



Firmly press the frame down onto each bracket.
Fit one side at a time for an easier installation, 1, 2, 3, 4.

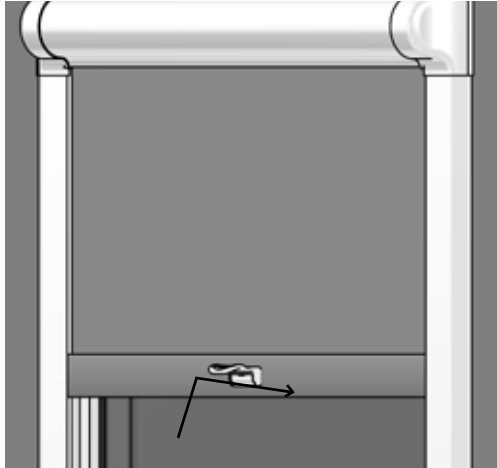


Your blind is now installed.

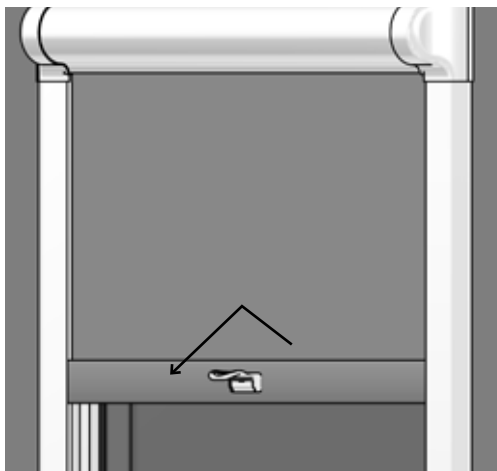
Perfect Fit
Fitting Instructions

HOW TO OPERATE

To release the blind, rock the handle forwards.
The blind is then free to open and close.



To lock the blind into position, rock the handle backwards.



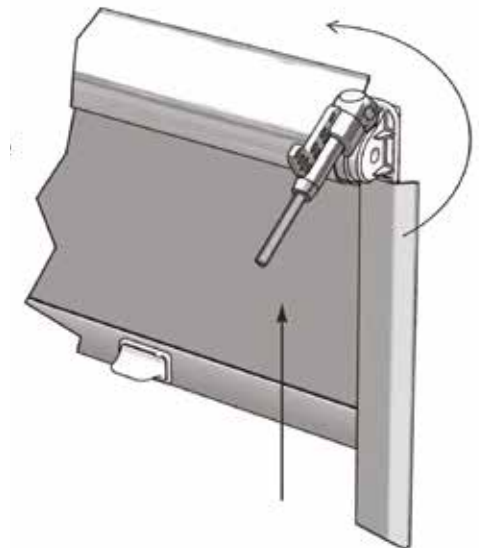
Perfect Fit
Fitting Instructions

FITTING THE FRAME

Adding 'wrap Tension' if required

In order for the fabric to roll up, we need to add 'wrap tension' at the top of the blind.

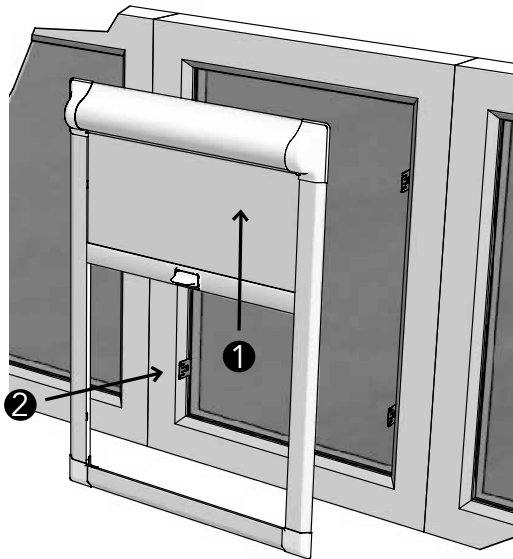
- 1 Remove bottom bar from grooves in side channel, pull down the blind (do not manually push back up as it needs to raise naturally with the tension).
- 2 Insert a 4mm allen key or angled allen drive attachment (R9002 as shown) into the heaxagon slot in the control end.
- 3 Turn 'anti-clockwise' to add tension until the blind starts to lift.
- 4 Tension is complete when the blind is fully opened.



Perfect Fit
Fitting Instructions

HOW TO REMOVE THE BLIND

- 1 Return blind to the top of the window.
- 2 Remove 1 side at a time by depressing button in the bracket and sliding the frame out.



NOTE TO INSTALLER: Please ensure general child safety warning tag is fitted on the product.

WARNING

Young children can be strangled by loops in pull cords, chains, tapes and inner cords that operate the product.

To avoid strangulation and entanglement, keep cords out of the reach of young children. Cords may become wrapped around a child's neck. Move beds, cots and furniture away from window covering cords.

Do not tie cords together. Make sure cords do not twist and create a loop.



Visit the Louvolite website to view the links to all of our assembly instructional videos.

