

## Roller Blinds

SOFT, SWIFT PRO, STRONG



### INSTALLATION & OPERATING GUIDANCE

### THANK YOU!

Thank you for purchasing this custom-made roller blind. We use only the best quality materials to guarantee a long-lasting product.

Please read these instructions carefully before installing and operating your blind. Incorrect installation may result in damage or injury.

No screws or plugs for fixing are enclosed. Please use screws and plugs that are suitable to the fixing surface.

Alterations of the blind should be approved by the blind manufacturer.

If you have any queries or issues installing your blinds, please contact us on free phone 0800 169 3765 or by emailing [customer.services@newblinds.co.uk](mailto:customer.services@newblinds.co.uk)

### WARNING!

Young children can be strangled by loops in pull cords, chains, tapes and inner cords that operate the product.  
To avoid strangulation and entanglement, keep cords out of the reach of young children. Cords may become wrapped around a child's neck.  
Move beds, cots and furniture away from window covering cords.  
Do not tie cords together.  
Make sure cords do not twist and create a loop.

### FIXING THE BRACKETS

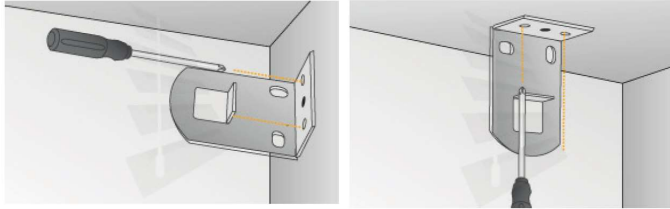
Each blind will have two brackets:

- (1) The bracket for the operating mechanism.
- (2) The bracket for the idle end.

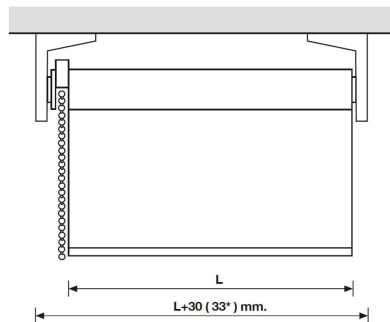
We offer several different methods of operation – chain, crank or motor.

Regardless of your method of operation, the bracket for the operating mechanism should be positioned on the side on which you have specified you would like the chain, crank or motor to be positioned.

Brackets can be fixed to any flat surface above, behind or to the side of the blind.



To calculate the spacing between the brackets add 30 mm to the width of the blind fabric. Fix the brackets so that the outsides of the brackets are this distance apart.



Key: L = Fabric width \* including bracket covers

When considering where to position the brackets, also check that you are leaving enough clearance so that the rolled-up fabric will not touch any of the surrounding surfaces.

We suggest marking the outside of bracket positions on the fixing surface. Then offer up the brackets to the fixing surface and mark the screw positions. Then drill and plug the screw holes, before fixing your brackets in place with screws.

We would suggest using a spirit level to ensure that your brackets are level. Fixing one bracket higher than the other will cause the roller blind fabric to run-off which may cause fraying and damage of the fabric.

If necessary, use packers to ensure that brackets are fixed level.

### FITTING THE BLIND

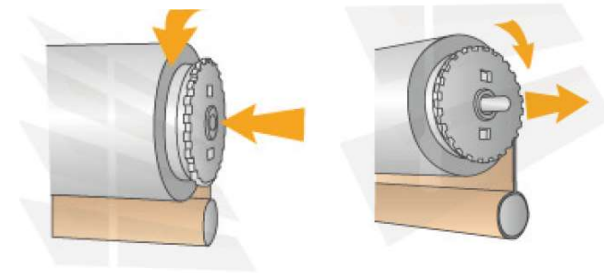
Now that the brackets are in position, offer the blind up to the brackets with the fabric hanging from the back of the roller tube (if you have selected standard roll) or the front of the tube (if you have selected reverse roll).

Push the operating mechanism to the mechanism bracket.

The idle end pin is spring-loaded and retractable. It can be adjusted to protrude out in three different positions.

In order to fit the idle-end pin into its bracket:

- (1) Turn the wheel on the idle end, to retract the pin.
- (2) This will allow you to position the idle end of the blind into the bracket
- (3) Locate the pin into the cradle at the centre of the bracket where it will remain fixed and tensioned.
- (4) Turn the wheel back in the opposite direction to extend the idle end pin to lock into the cradle of the bracket.



To remove the blind, pull back the idle-end pin by turning the toothed wheel. The idle-end pin will retract itself and then the blind may be removed from its bracket.

### CHILD SAFETY

Crank operated and motorised blinds are known as *Safe by Design* in that they are free from looped cords or chains.

Our chain operated blinds are made child-safe by either using:

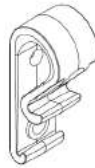
- Child Safety Wall Anchor.
- Child Safety Chain Connectors

You will have selected one of the above safety devices when ordering your blinds.

#### Child Safety Wall Anchor

If you have requested that your blinds should be operated using metal chain, then the chain will be provided with a child-safety wall anchor pre-fitted to the chain. This anchor should be fitted to the wall as follows:

- (1) Hold the wall anchor to the wall so that the chain is taut.
- (2) Mark the on the wall the position of the screw holes in the anchor.
- (3) Drill and plug in the positions that you have marked.
- (4) Fix the the anchor to the wall using screws.
- (5) Test the blind to ensure smooth operation



#### Child Safety Chain Connectors

If you have requested that your blinds should be supplied with plastic chain, the chain will be fitted with child safety chain connectors. Two connectors will be fitted to the operating chain 200mm apart. If excessive load is applied to the looped chain, then one of the connectors will break apart.

Before re-connecting the connector, please check it for damage. If the connector is damaged please contact us for a replacement.

If it is undamaged, press the last ball on the loose chain into the large hole of the connector.

#### NOTE TO INSTALLER:

Please ensure a general child safety warning tag remains fitted to the chain after installation. We recommend leaving a copy of these instructions with the user and obtaining signed acknowledgement that they have received the instructions and that the blind operation and safety devices have been explained/demonstrated to them.

### OPERATING THE BLIND

Chain operated roller blinds are raised and lowered as follows, by pulling smoothly and steadily:

	Standard Roll	Reverse Roll
<b>Pulling Back Chain</b>	Moves Blind Down	Moves Blind Up
<b>Pulling Front Chain</b>	Moves Blind Up	Moves Blind Down

### CHILD SAFETY - BS EN 13120 GUIDELINES FOR ROLLER BLINDS

	Safety Device Type	
	Child Safety Wall Anchor	Child Safety Chain Connectors
<b>Fixing Height Known</b>	Chain must terminate more than 1.5m from floor level. Anchor must be fitted to the wall, holding chain taut and vertical.	Chain length must terminate more than 0.6m from floor level. Chain must be fitted with 2 child safety connectors 200mm apart
<b>Fixing Height Unknown – Blind drop greater than 2.5m</b>	Chain length must be no greater than the drop of the blind minus 1.5m. Anchor must be fitted to the wall, holding chain taut and vertical.	Chain length must be no greater than 2/3 of blind drop. Chain must be fitted with 2 child safety connectors 200mm apart
<b>Fixing Height Unknown – Blind drop less than 2.5m</b>	Chain length must be a maximum 1m. Anchor must be fitted to the wall, holding chain taut and vertical.	Chain length must be no greater than 2/3 of blind drop. Chain must be fitted with 2 child safety connectors 200mm apart

#### NOTE TO INSTALLER:

Please ensure a general child safety warning tag remains fitted to the chain after installation. We recommend leaving a copy of these instructions with the user and obtaining signed acknowledgement that they have received the instructions and that the blind operation and safety devices have been explained/demonstrated to them.

#### WARNING!

Young children can be strangled by loops in pull cords, chains, tapes and inner cords that operate the product. To avoid strangulation and entanglement, keep cords out of the reach of young children. Cords may become wrapped around a child's neck. Move beds, cots and furniture away from window covering cords. Do not tie cords together. Make sure cords do not twist and create a loop.



**NOTES**