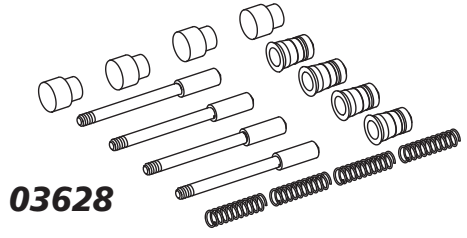


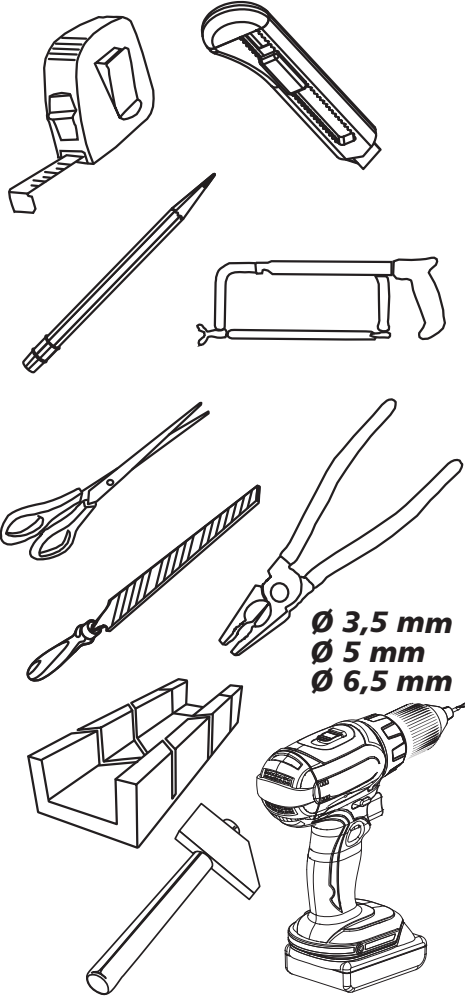
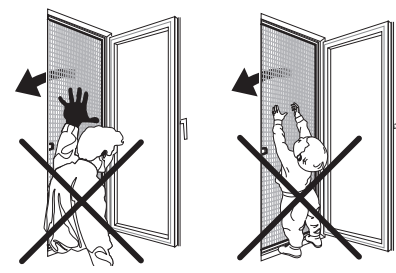
QA326

~~QA310~~

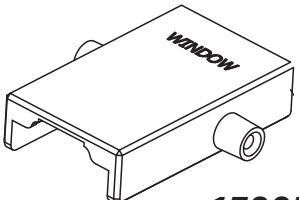
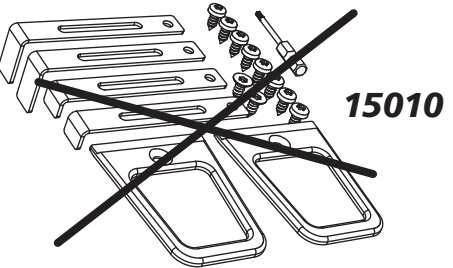
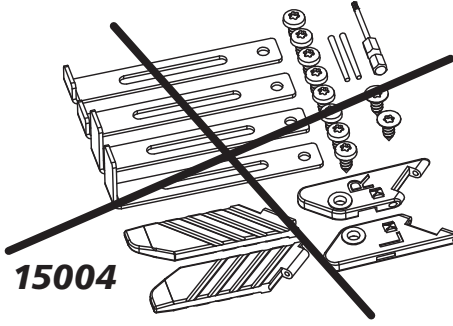
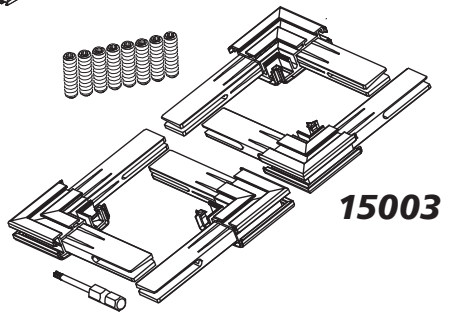
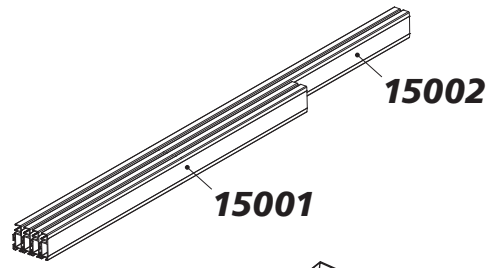
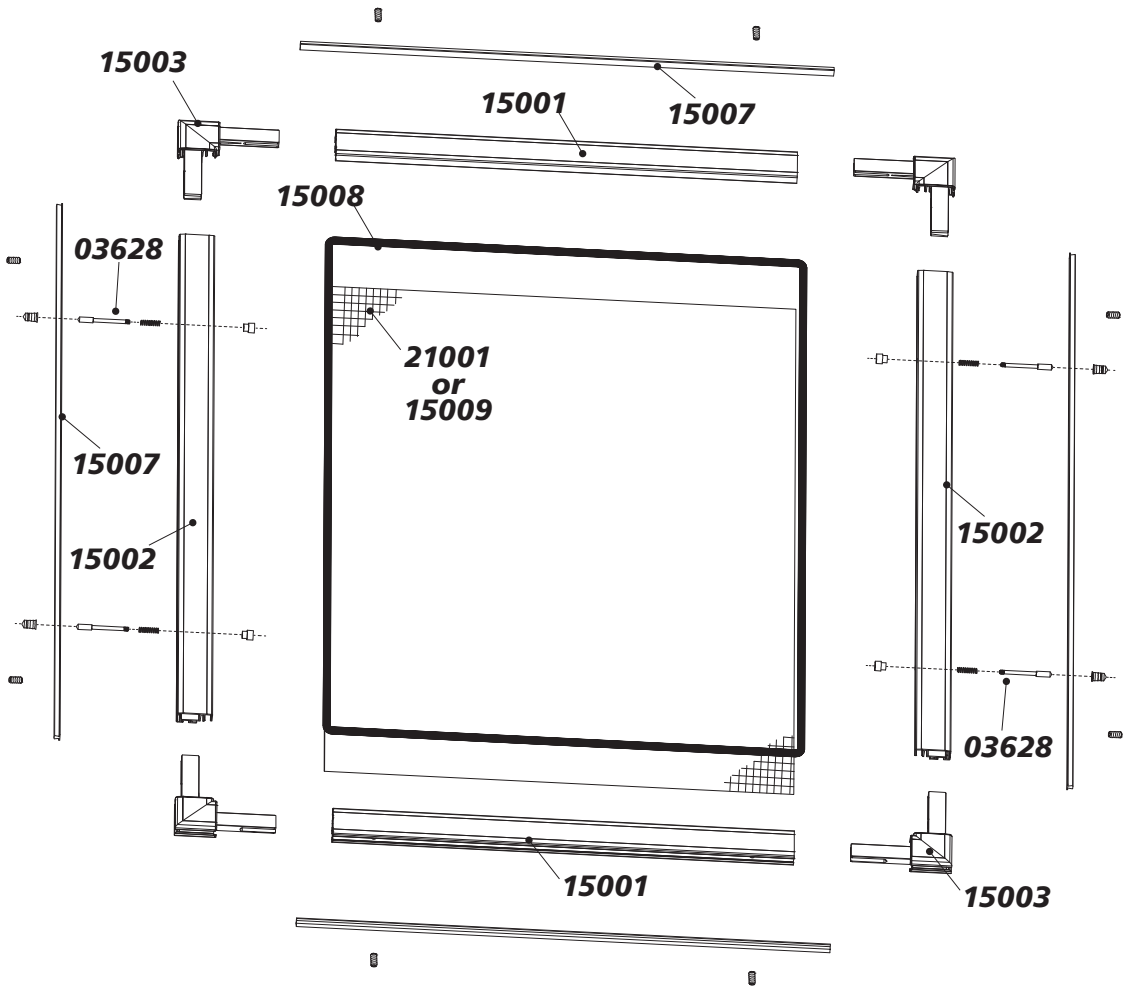
~~QA323~~



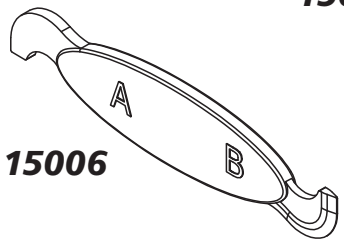
03628



Ø 3,5 mm
Ø 5 mm
Ø 6,5 mm



15005



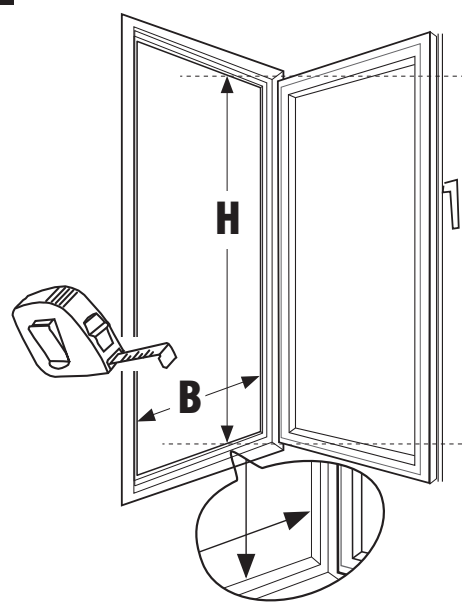
15006

21001
or
15009

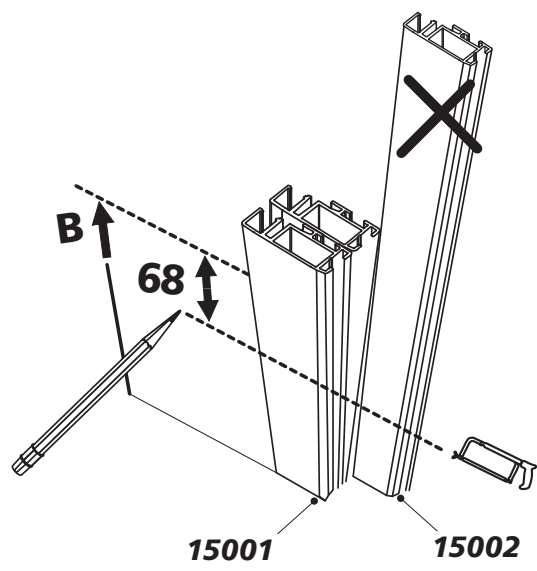
15008

15007

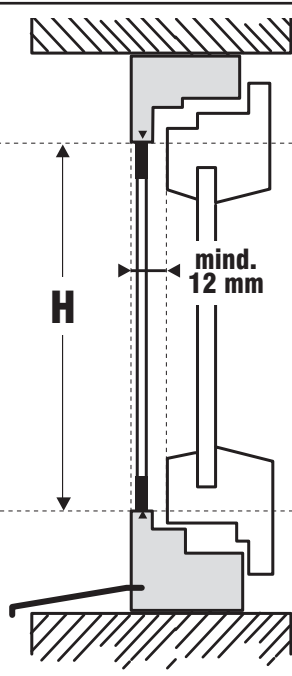
1



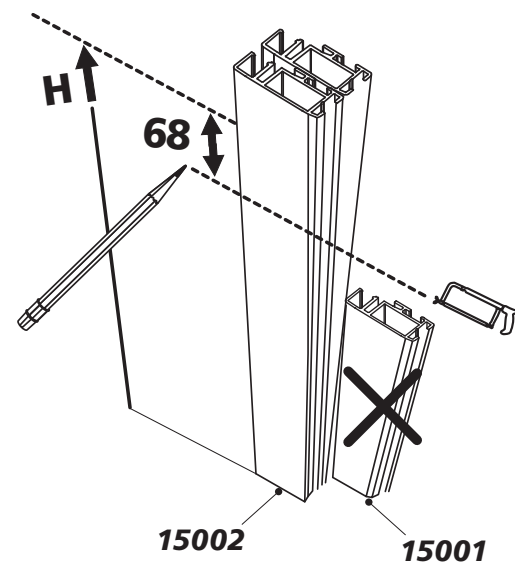
B-68 mm =



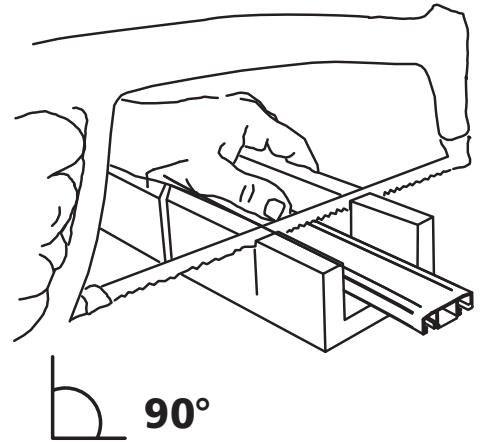
2



H-68 mm =

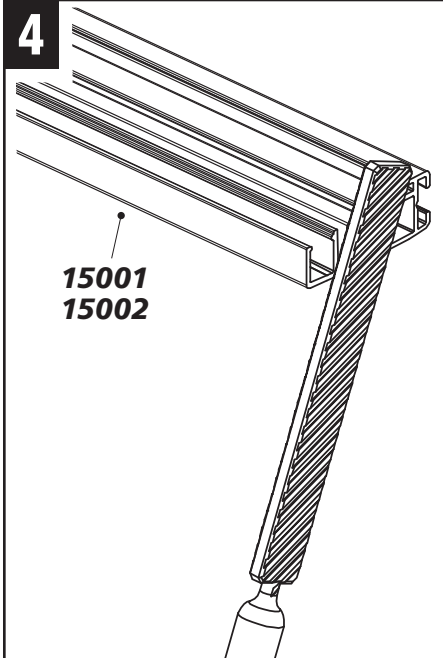


3



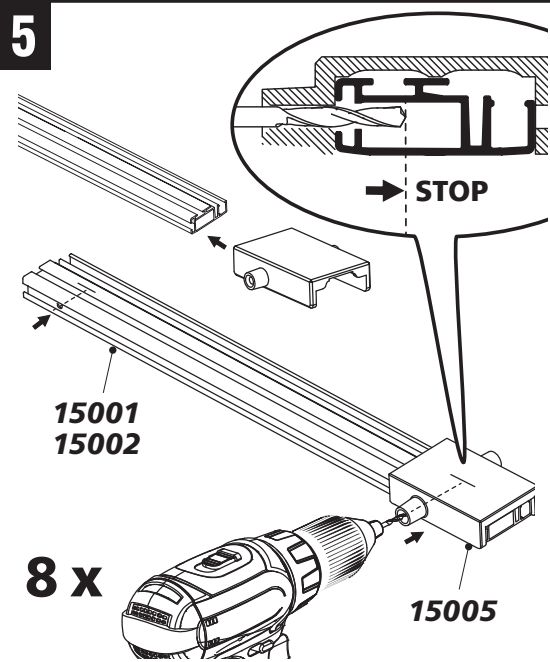
4 x

4



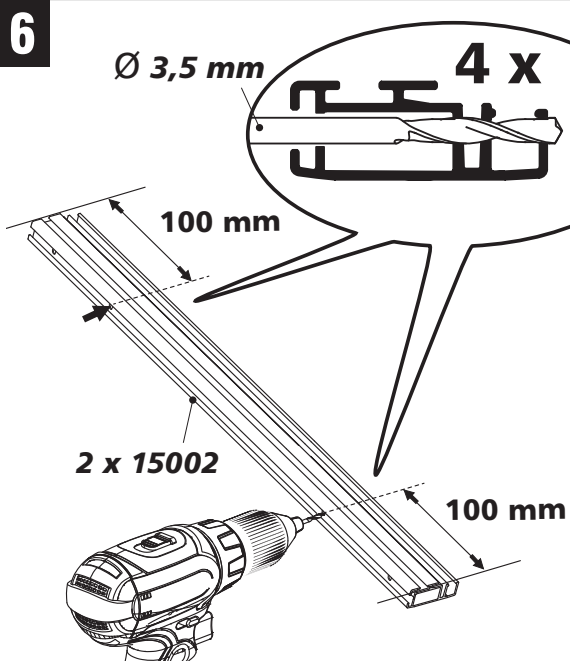
4 x

5



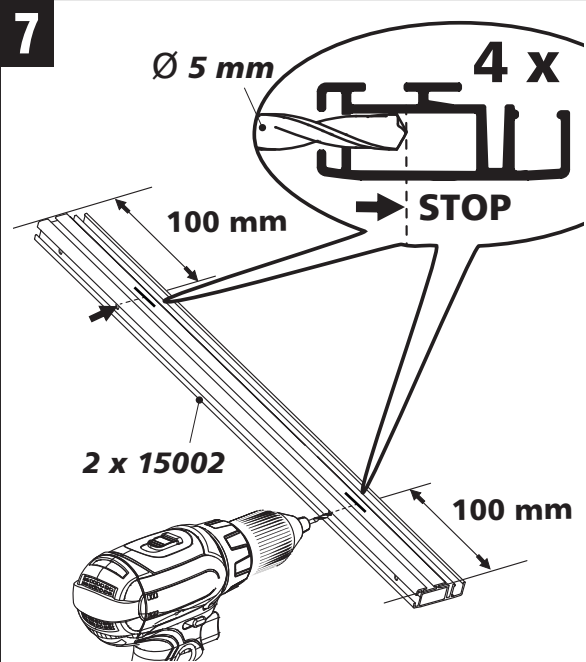
8 x

6



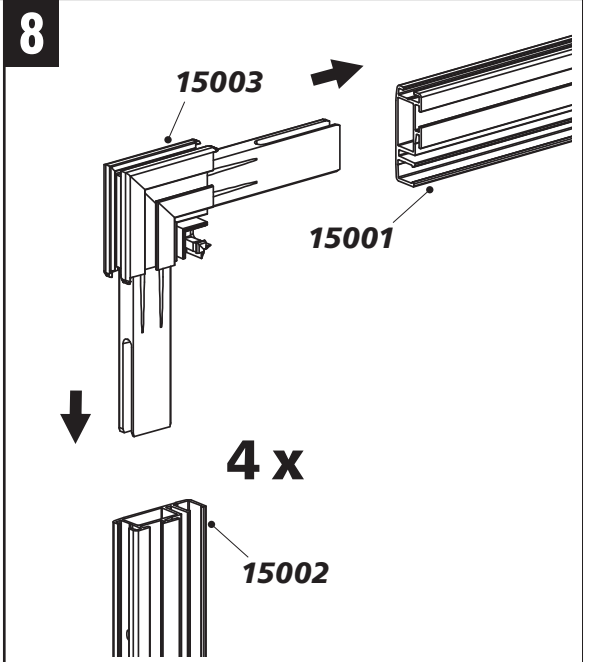
4 x

7



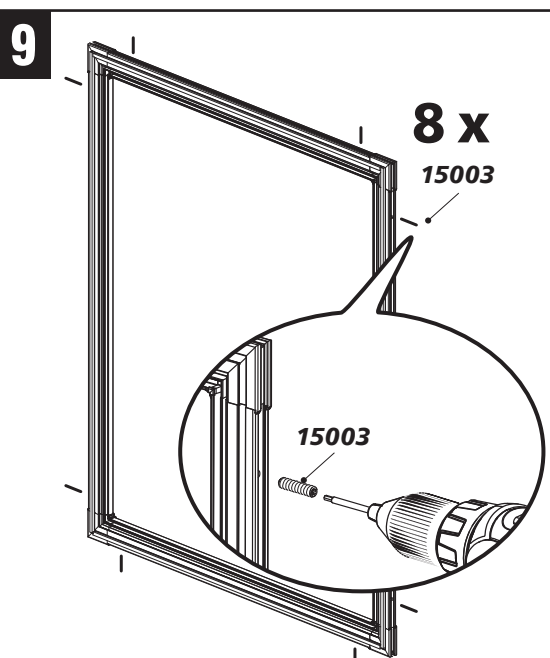
4 x

8



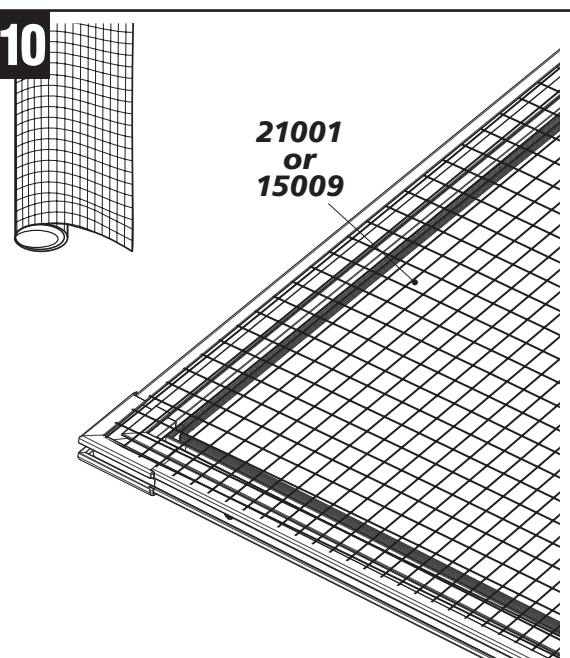
4 x

9



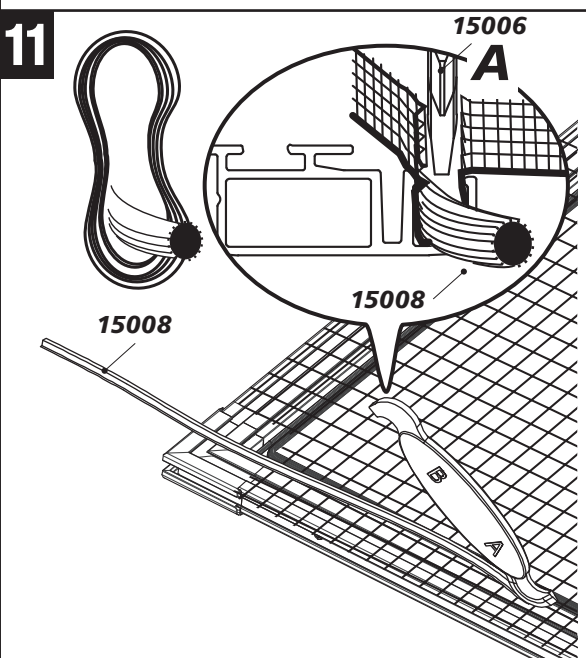
8 x

10



21001
or
15009

11



15006
A

12

